



**STANDARD RESPONSE
AUTOMATIC SPRINKLERS
GL SERIES
RECESSED PENDENT
TO MEET IBC-ASCE/SEI 7 CODES
FOR SEISMIC AREAS C, D & E**

DESCRIPTION AND OPERATION

The GL Series Sprinkler is a low profile yet durable design which utilizes a frangible glass ampule as the thermosensitive element. While the Sprinkler provides an aesthetically pleasing appearance, it can be installed wherever standard spray sprinklers are specified. This sprinkler series is available in various styles, orifices, temperature ratings and finishes to meet varying design requirements.

The heart of Globe's GL Series sprinkler proven actuating assembly is a hermetically sealed frangible glass ampule that contains a precisely measured amount of fluid. When heat is absorbed, the liquid within the bulb expands increasing the internal pressure. At the prescribed temperature, the internal pressure within the ampule exceeds the strength of the glass, causing the glass to shatter. This results in water discharge which is distributed in an approved pattern depending upon the deflector style used.

The use of the 4 1/2" diameter recessed escutcheon allows for 1" of clearance around the sprinkler body, which meets the IBC-ASCE/SEI 7 requirements for use in seismic areas C, D & E.

The sprinkler and escutcheon are not factory assembled. Assembly is done at the time of installation.

TECHNICAL DATA

- See reverse side for Approvals and Specifications.
- Temperature Ratings - 135°F (57°C), 155°F (68°C), 175°F (79°C), 200°F (93°C), 286°F (141°C)
- Water Working Pressure Rating - 175 psi (12 Bars)
- Factory tested hydrostatically to 500 psi (34 Bars)
- Maximum low temperature glass bulb rating is -67°F (-55°C)
- Frame - bronze • Deflector - brass • Screw - brass
- Lodgement Wire - stainless steel • Bulb seat - copper
- Spring - nickel alloy • Seal - teflon
- Bulb - glass with glycerin solution, 5mm size
- Escutcheon Assembly - steel



**STANDARD RESPONSE
RECESSED PENDENT
WITH OPTIONAL 4 1/2" SEISMIC
RECESSED ESCUTCHEON**

• SPRINKLER TEMPERATURE RATING/CLASSIFICATION and COLOR CODING

CLASSIFICATION	AVAILABLE SPRINKLER TEMPERATURES		BULB COLOR	N.F.P.A. MAXIMUM CEILING TEMPERATURE	
ORDINARY	135°F/155°F	57°C/68°C	ORANGE/RED	100°F	38°C
INTERMEDIATE	175°F/200°F	79°C/93°C	YELLOW/GREEN	150°F	66°C
HIGH	286°F	141°C	BLUE	225°F	107°C

STANDARD RESPONSE AUTOMATIC SPRINKLERS GL SERIES RECESSED PENDENT TO MEET IBC-ASCE/SEI 7 CODES FOR SEISMIC AREAS C, D & E

SPECIFICATIONS

NOMINAL "K" FACTOR	THREAD SIZE	LENGTH ¹	FINISHES
2.8 (40 metric)	1/2"NPT (15mm)	2 1/4" (5.7cm)	Chrome White Polyester ²
4.2 (60 metric)	1/2"NPT (15mm)	2 1/4" (5.7cm)	
5.6 (80 metric)	1/2"NPT (15mm)	2 1/4" (5.7cm)	
8.0 (115 metric)	1/2"NPT (15mm)	2 1/4" (5.7cm)	
8.0 (115 metric)	3/4"NPT (20mm)	2 7/16" (6.2cm)	

NOTE: METRIC CONVERSIONS ARE APPROXIMATE.

²AVAILABLE AS cULus LISTED CORROSION RESISTANT WHEN SPECIFIED ON ORDER.

APPROVALS

STYLE	SIN MODEL	K FACTOR	HAZARD ¹	TEMPERATURE					cULus	FM	LPC	CE	NYC - DOB MEA 101-92-E	MIN. DISTANCE BETWEEN SPRINKLERS Feet (Meters)
				135°F (57°C)	155°F (68°C)	175°F (79°C)	200°F (93°C)	**286°F (141°C)						
RECESSED PENDENT	GL2851	2.8	LH	X	X	X	X	X	X	---	---	---	X	6 (1.8)
	GL4251	4.2	LH	X	X	X	X	X	X	---	---	---	X	
	GL5651	5.6	ALL	X	X	X	X	X	X	X	X	X	X	
	GL8151	8.0*	ALL	X	X	X	X	X	X	---	---	---	X	
	GL8156	8.0	ALL	X	X	X	X	X	X	X [§]	X	X	X	

¹SPRINKLERS SHALL BE LIMITED AS PER THE REQUIREMENTS OF NFPA13 AND ANY OTHER RELATED DOCUMENTS.

**286°F (141°C) cULus LISTED ONLY

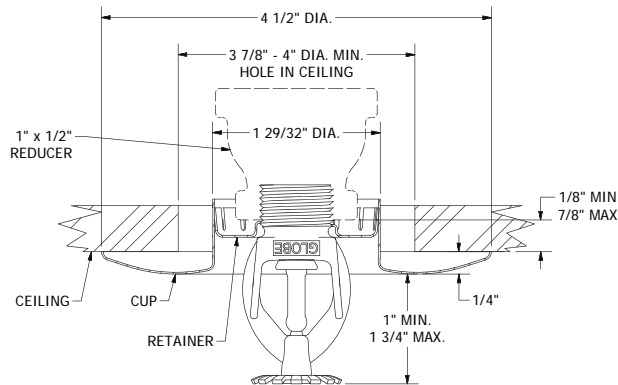
[§]BRASS FINISH ONLY

OH: ORDINARY HAZARD

LH: LIGHT HAZARD

ALL: ALL HAZARD

*1/2" NPT



**1/2" OR 3/4" ADJUSTMENT
SEISMIC APPLICATION RECESSED PENDENT**

	FRICTION FIT RECESSED ESCUTCHEON PART NUMBERS			
	1/2" ADJUSTABLE		3/4" ADJUSTABLE	
	WHITE	CHROME	WHITE	CHROME
1/2"NPT	326203-W	326201	326172-W	326170
3/4"NPT	326210-W	326208	326179-W	326177

ORDERING INFORMATION

SPECIFY

- Quantity • Model Number • Style • Orifice
- Thread Size • Temperature • Finishes desired
- Quantity - Wrenches - P/N 325391 (1/2"); P/N 325401 (3/4")
- Quantity - Protective Caps - P/N 327109-CAP (Friction Fit)

GLOBE® PRODUCT WARRANTY

Globe agrees to repair or replace any of its own manufactured products found to be defective in material or workmanship for a period of one year from date of shipment.

For specific details of our warranty please refer to Price List Terms and Conditions of Sale (Our Price List).