



QUICK RESPONSE **AUTOMATIC SPRINKLERS** **GL SERIES** **RECESSED PENDENT** **RECESSED HORIZONTAL SIDEWALL**

DESCRIPTION AND OPERATION

The Globe Quick Response GL Series Sprinkler is a low profile yet durable design which utilizes a 3mm frangible glass ampule as the thermosensitive element. This provides sprinkler operation approximately six times faster than ordinary sprinklers. While the Quick Response Sprinkler provides an aesthetically pleasing appearance, it can be installed wherever standard spray sprinklers are specified but offers the additional feature of greatly increased safety to life. Quick Response Sprinklers should be used advisedly and under the direction of approving authorities having jurisdiction.

The heart of Globe's GL Series sprinkler proven actuating assembly is a hermetically sealed frangible glass ampule that contains a precisely measured amount of fluid. When heat is absorbed, the liquid within the bulb expands increasing the internal pressure. At the prescribed temperature the internal pressure within the ampule exceeds the strength of the glass causing the glass to shatter. This results in water discharge which is distributed in an approved pattern depending upon the deflector style used.

The sprinkler and escutcheon are not factory assembled. Assembly is done in the field.



QUICK RESPONSE
RECESSED PENDENT



QUICK RESPONSE
RECESSED
HORIZONTAL SIDEWALL



QUICK RESPONSE
LPC/CE RECESSED
HORIZONTAL SIDEWALL

TECHNICAL DATA

- See reverse side for Approvals and Specifications.
- Temperature Ratings - 135°F (57°C), 155°F (68°C), 175°F (79°C), 200°F (93°C), 286°F (141°C)
- Water Working Pressure Rating - 175 psi (12 Bars)
- Factory tested hydrostatically to 500 psi (34 Bars)
- Maximum low temperature glass bulb rating is -67°F (-55°C)
- Frame - bronze • Deflector - brass • Screw - brass
- Lodgement Wire - stainless steel • Bulb seat - copper
- Spring - nickel alloy • Seal - teflon
- Bulb - glass with alcohol based solution, 3mm size
- Escutcheon Assembly - steel

• **SPRINKLER TEMPERATURE RATING/CLASSIFICATION and COLOR CODING**

CLASSIFICATION	AVAILABLE SPRINKLER TEMPERATURES		BULB COLOR	N.F.P.A. MAXIMUM CEILING TEMPERATURE	
ORDINARY	135°F/155°F	57°C/68°C	ORANGE/RED	100°F	38°C
INTERMEDIATE	175°F/200°F	79°C/93°C	YELLOW/GREEN	150°F	66°C
HIGH	286°F	141°C	BLUE	225°F	107°C

QUICK RESPONSE AUTOMATIC SPRINKLERS GL SERIES RECESSED PENDENT RECESSED HORIZONTAL SIDEWALL SPECIFICATIONS

NOMINAL "K" FACTOR		THREAD SIZE	LENGTH ¹	FINISHES
2.8	(40 metric)	1/2"NPT (15mm)	2 1/4" (5.7cm)	Factory Bronze Chrome White Polyester ³ Black Polyester ^{2,3}
4.2	(60 metric)	1/2"NPT (15mm)	2 1/4" (5.7cm)	
5.6	(80 metric)	1/2"NPT (15mm)	2 1/4" (5.7cm)	
8.0	(115 metric)	1/2"NPT (15mm)	2 1/4" (5.7cm)	
8.0	(115 metric)	3/4"NPT (20mm)	2 7/16" (6.2cm)	

NOTE: METRIC CONVERSIONS ARE APPROXIMATE.

¹HORIZONTAL SIDEWALL IS 2 9/16".

²FINISHES AVAILABLE ON SPECIAL ORDER.

³AVAILABLE AS cULus LISTED CORROSION RESISTANT WHEN SPECIFIED ON ORDER.

APPROVALS

STYLE	SIN MODEL	K FACTOR	HAZARD ¹	TEMPERATURE					cULus	FM ^{††}	LPC	CE	NYC - DOB MEA 101-92-E	MIN. DISTANCE BETWEEN SPRINKLERS Feet (Meters)
				135°F (57°C)	155°F (68°C)	175°F (79°C)	200°F (93°C)	**286°F (141°C)						
RECESSED PENDENT	GL2801	2.8	LH	X	X	X	X	X	X	---	---	---	X	6 (1.8)
	GL4201	4.2	LH	X	X	X	X	X	X	---	---	---	X	
	GL5601	5.6	LH/OH	X	X	X	X	X	X	X	X	X	X	
	GL8101	8.0*	LH/OH	X	X	X	X	X	X	---	---	---	X	
	GL8106	8.0	LH/OH	X	X	X	X	X	X	X [§]	X	X	X	
RECESSED HORIZONTAL SIDEWALL	GL2826§	2.8	LH	X	X	X	X	X	X	---	---	---	X	
	GL4226§	4.2	LH	X	X	X	X	X	X	---	---	---	X	
	GL5626§	5.6	LH/OH	X	X	X	X	X	X	---	---	---	X	
	GL5627¶	5.6	LH/OH	X	X	X	X	X	---	---	X	X	---	
	GL8127§	8.0	LH/OH	X	X	X	X	X	X	---	---	---	---	

¹SPRINKLERS SHALL BE LIMITED AS PER THE REQUIREMENTS OF NFPA13 AND ANY OTHER RELATED DOCUMENTS.

[§]HORIZONTAL SIDEWALL cULus LISTED FOR DEFLECTOR 4" TO 12" BELOW THE CEILING, FM APPROVED 4" TO 6" BELOW THE CEILING.

[¶]INSTALL IN ACCORDANCE TO BS5306 AND ANY OTHER RELATED DOCUMENTS.

^{††}1/2" ADJUSTABLE RECESSED ESCUTCHEONS ARE REQUIRED FOR FM APPROVED SPRINKLERS.

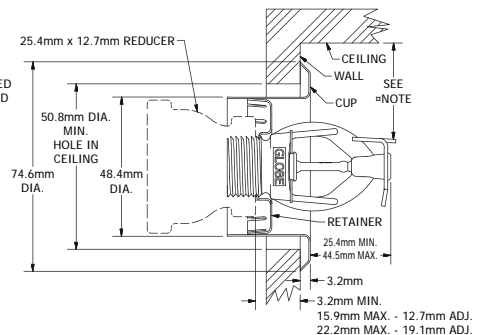
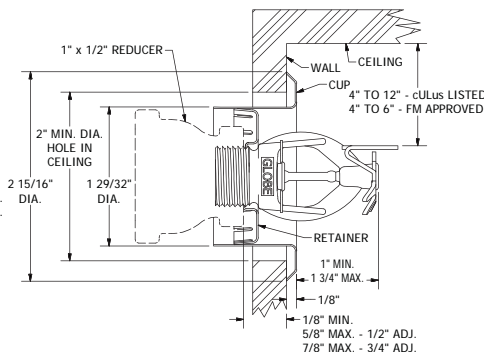
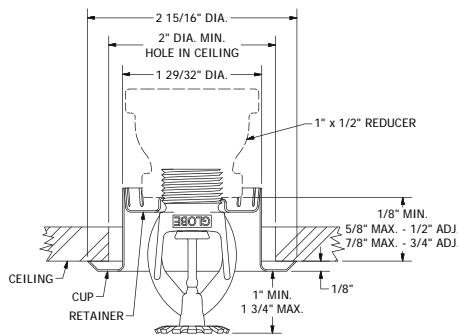
**286°F (141°C) cULus LISTED ONLY

[§]BRASS FINISH ONLY

OH: ORDINARY HAZARD

LH: LIGHT HAZARD

*1/2" NPT



FRICTION FIT RECESSED ESCUTCHEON PART NUMBERS				
	WHITE 1/2" ADJUSTABLE	CHROME 1/2" ADJUSTABLE	WHITE 3/4" ADJUSTABLE	CHROME 3/4" ADJUSTABLE
1/2"NPT	332073W	332071	325426W	325422
3/4"NPT	326042W	326040	325427W	325423

ORDERING INFORMATION SPECIFY

- Quantity • Model Number • Style • Orifice
- Thread Size • Temperature • Finishes desired
- Quantity - Wrenches - P/N 325391 (1/2"); P/N 325401 (3/4")
- Quantity - Protective Caps - P/N 327109-CAP (Friction Fit Recessed)

GLOBE® PRODUCT WARRANTY

Globe agrees to repair or replace any of its own manufactured products found to be defective in material or workmanship for a period of one year from date of shipment.

For specific details of our warranty please refer to Price List Terms and Conditions of Sale (Our Price List).