



STANDARD RESPONSE AUTOMATIC SPRINKLERS GL SERIES RECESSED PENDENT RECESSED HORIZONTAL SIDEWALL

DESCRIPTION AND OPERATION

The Globe GL Series Sprinkler is a low profile yet durable design which utilizes a frangible glass ampule as the thermosensitive element. While the sprinkler provides an aesthetically pleasing appearance, it can be installed wherever standard spray sprinklers are specified. This sprinkler series is available in various styles, orifices, temperature ratings and finishes to meet varying design requirements.

The heart of Globe's GL Series sprinkler proven actuating assembly is a hermetically sealed frangible glass ampule that contains a precisely measured amount of fluid. When heat is absorbed, the liquid within the bulb expands increasing the internal pressure. At the prescribed temperature, the internal pressure within the ampule exceeds the strength of the glass, causing the glass to shatter. This results in water discharge which is distributed in an approved pattern depending upon the deflector style used.

The sprinkler and escutcheon are not factory assembled. Assembly is done in the field.



STANDARD RESPONSE
RECESSED PENDENT



STANDARD RESPONSE
RECESSED
HORIZONTAL SIDEWALL



STANDARD RESPONSE
LPC/CE RECESSED
HORIZONTAL SIDEWALL

TECHNICAL DATA

- See reverse side for Approvals and Specifications.
- Temperature Ratings - 135°F (57°C), 155°F (68°C), 175°F (79°C), 200°F (93°C), 286°F (141°C)
- Water Working Pressure Rating - 175 psi (12 Bars)
- Factory tested hydrostatically to 500 psi (34 Bars)
- Maximum low temperature glass bulb rating is -67°F (-55°C)
- Frame - bronze • Deflector - brass • Screw - brass
- Lodgement Wire - stainless steel • Bulb seat - copper
- Spring - nickel alloy • Seal - teflon
- Bulb - glass with glycerin solution, 5mm size
- Escutcheon Assembly - steel

• SPRINKLER TEMPERATURE RATING/CLASSIFICATION and COLOR CODING

CLASSIFICATION	AVAILABLE SPRINKLER TEMPERATURES		BULB COLOR	N.F.P.A. MAXIMUM CEILING TEMPERATURE	
ORDINARY	135°F/155°F	57°C/68°C	ORANGE/RED	100°F	38°C
INTERMEDIATE	175°F/200°F	79°C/93°C	YELLOW/GREEN	150°F	66°C
HIGH	286°F	141°C	BLUE	225°F	107°C

STANDARD RESPONSE AUTOMATIC SPRINKLERS GL SERIES RECESSED PENDENT RECESSED HORIZONTAL SIDEWALL SPECIFICATIONS

NOMINAL "K" FACTOR		THREAD SIZE	LENGTH ¹	FINISHES
2.8	(40 metric)	1/2"NPT (15mm)	2 1/4" (5.7cm)	Factory Bronze Chrome White Polyester ³ Black Polyester ^{2,3}
4.2	(60 metric)	1/2"NPT (15mm)	2 1/4" (5.7cm)	
5.6	(80 metric)	1/2"NPT (15mm)	2 1/4" (5.7cm)	
8.0	(115 metric)	1/2"NPT (15mm)	2 1/4" (5.7cm)	
8.0	(115 metric)	3/4"NPT (20mm)	2 7/16" (6.2cm)	

NOTE: METRIC CONVERSIONS ARE APPROXIMATE.

¹HORIZONTAL SIDEWALL IS 2 9/16".

²FINISHES AVAILABLE ON SPECIAL ORDER.

³AVAILABLE AS cULus LISTED CORROSION RESISTANT WHEN SPECIFIED ON ORDER.

APPROVALS

STYLE	SIN MODEL	K FACTOR	HAZARD ¹	TEMPERATURE					cULus	FM	LPC	CE	NYC - DOB MEA 101-92-E	MIN. DISTANCE BETWEEN SPRINKLERS Feet (Meters)
				135°F (57°C)	155°F (68°C)	175°F (79°C)	200°F (93°C)	**286°F (141°C)						
RECESSED PENDENT	GL2851	2.8	LH	X	X	X	X	X	X	---	---	---	X	6 (1.8)
	GL4251	4.2	LH	X	X	X	X	X	X	---	---	---	X	
	GL5651	5.6	ALL	X	X	X	X	X	X	X	X	X	X	
	GL8151	8.0*	ALL	X	X	X	X	X	X	---	---	---	X	
	GL8156	8.0	ALL	X	X	X	X	X	X	X ⁵	X	X	X	
RECESSED HORIZONTAL SIDEWALL	GL2870§	2.8	LH	X	X	X	X	X	X	---	---	---	X	
	GL4270§	4.2	LH	X	X	X	X	X	X	---	---	---	X	
	GL5670§	5.6	ALL	X	X	X	X	X	X	---	---	---	X	
	GL5671¶	5.6	ALL	X	X	X	X	X	---	---	X	X	---	
	GL8171§	8.0	ALL	X	X	X	X	X	X	---	---	---	---	

¹SPRINKLERS SHALL BE LIMITED AS PER THE REQUIREMENTS OF NFPA13 AND ANY OTHER RELATED DOCUMENTS.

²HORIZONTAL SIDEWALL cULus LISTED FOR DEFLECTOR 4" TO 12" BELOW THE CEILING, FM APPROVED 4" TO 6" BELOW THE CEILING.

³INSTALL IN ACCORDANCE TO BS5306 AND ANY OTHER RELATED DOCUMENTS.

⁴**286°F (141°C) cULus LISTED ONLY

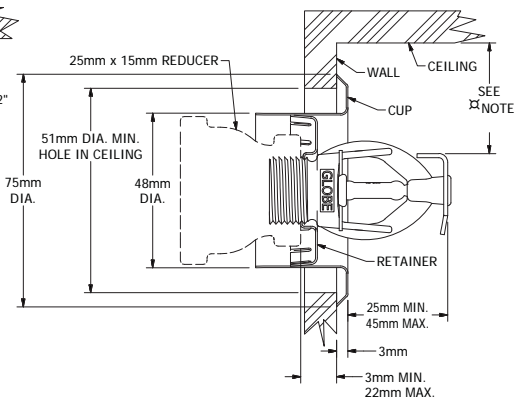
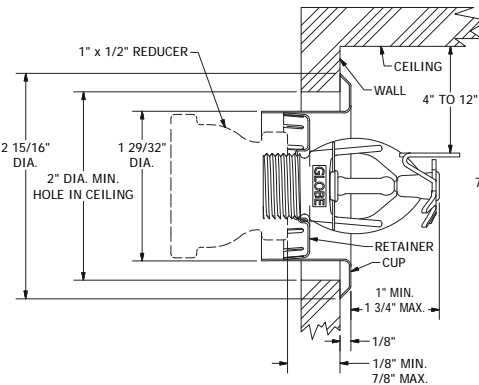
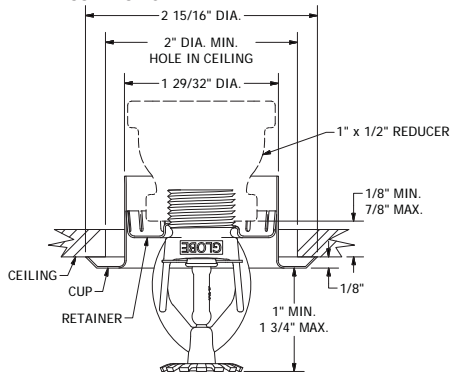
⁵BRASS FINISH ONLY

OH: ORDINARY HAZARD

LH: LIGHT HAZARD

ALL: ALL HAZARD

*1/2" NPT



FRICTION FIT RECESSED ESCUTCHEON PART NUMBERS				
	WHITE 1/2" ADJUSTABLE	CHROME 1/2" ADJUSTABLE	WHITE 3/4" ADJUSTABLE	CHROME 3/4" ADJUSTABLE
1/2"NPT	332073W	332071	325426W	325422
3/4"NPT	326042W	326040	325427W	325423

ORDERING INFORMATION

- SPECIFY**
- Quantity • Model Number • Style • Orifice
 - Thread Size • Temperature • Finishes desired
 - Quantity - Wrenches - P/N 325391 (1/2"); P/N 325401 (3/4")
 - Quantity - Protective Caps - P/N 327109-CAP (Friction Fit)

GLOBE® PRODUCT WARRANTY

Globe agrees to repair or replace any of its own manufactured products found to be defective in material or workmanship for a period of one year from date of shipment.

For specific details of our warranty please refer to Price List Terms and Conditions of Sale (Our Price List).