



**QUICK RESPONSE  
AUTOMATIC SPRINKLERS  
GL SERIES 10MM  
UPRIGHT • PENDENT  
RECESSED PENDENT**

**DESCRIPTION AND OPERATION**

The Globe Quick Response GL Series 10mm Sprinklers are a low profile yet durable design which utilises a 3mm frangible glass ampule as the thermosensitive element. This provides sprinkler operation approximately six times faster than ordinary sprinklers. While the Quick Response 10mm Sprinkler provides an aesthetically pleasing appearance, it can be installed wherever standard spray sprinklers are specified when allowed by the applicable standards. It offers the additional feature of greatly increased safety to life and is available in various styles, temperature ratings and finishes to meet many varying design requirements. Quick Response Sprinklers should be used advisedly and under the direction of approving authorities having jurisdiction.

The heart of Globe's GL Series sprinkler proven actuating assembly is a hermetically sealed frangible glass ampule that contains a precisely measured amount of fluid. When heat is absorbed, the liquid within the bulb expands, increasing the internal pressure. At the prescribed temperature, the internal pressure within the ampule exceeds the strength of the glass, causing the glass to shatter. This results in water discharge which is distributed in an approved pattern, depending upon the deflector style used.

The sprinkler and escutcheon are not factory assembled. Assembly is done in the field.



**QUICK RESPONSE  
UPRIGHT**



**QUICK RESPONSE  
PENDENT**



**QUICK RESPONSE  
RECESSED PENDENT**

**TECHNICAL DATA**

- See reverse side for Approvals and Specifications.
- Temperature Ratings - 57°C (135°F), 68°C (155°F), 79°C (175°F), 93°C (200°F), 141°C (286°F)
- Water Working Pressure Rating - 1206 kPA (175 psi)
- Factory tested hydrostatically to 3447 kPA (500 psi)
- Maximum low temperature glass bulb rating is -55°C (-67°F)
- Frame - bronze • Deflector - brass • Screw - brass
- Lodgement Wire - stainless steel • Bulb seat - copper
- Spring - nickel alloy • Seal - teflon
- Bulb - glass with alcohol based solution, 3mm size

**•SPRINKLER TEMPERATURE RATING/CLASSIFICATION and COLOR CODING**

CLASSIFICATION	AVAILABLE SPRINKLER TEMPERATURES		BULB COLOR	N.F.P.A. MAXIMUM CEILING TEMPERATURE	
ORDINARY	135°F/155°F	57°C/68°C	ORANGE/RED	100°F	38°C
INTERMEDIATE	175°F/200°F	79°C/93°C	YELLOW/GREEN	150°F	66°C
HIGH	286°F	141°C	BLUE	225°F	107°C

# QUICK RESPONSE AUTOMATIC SPRINKLERS GL SERIES 10MM UPRIGHT • PENDENT RECESSED PENDENT

## SPECIFICATIONS

NOMINAL "K" FACTOR	THREAD SIZE	LENGTH	FINISHES
57 metric (4.2 english)	10mm (ISO 7/1-R3/8)	5.7cm (2 1/4")	Factory Bronze Chrome White Polyester <sup>2</sup> Black Polyester <sup>1,2</sup>

<sup>1</sup>FINISHES AVAILABLE ON SPECIAL ORDER.

<sup>2</sup>AVAILABLE AS cULus LISTED COROSION RESISTANT WHEN SPECIFIED ON ORDER.

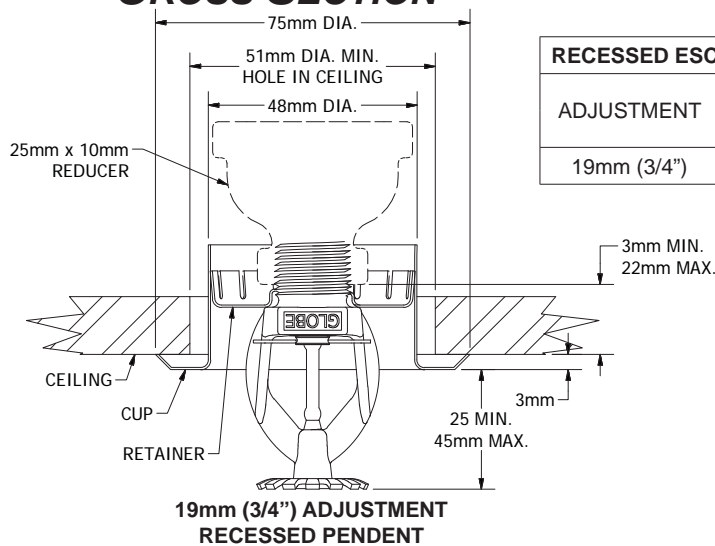
## APPROVALS

STYLE	SIN MODEL	K FACTOR	HAZARD <sup>1</sup>	TEMPERATURE					cULus	MIN. DISTANCE BETWEEN SPRINKLERS <i>Metres (Feet)</i>
				57°C (135°F)	68°C (155°F)	79°C (175°F)	93°C (200°F)	141°C (286°F)		
UPRIGHT	GL4221	57 metric	LH	X	X	X	X	X	X	1.8 (6)
PENDENT RECESSED PENDENT	GL4202	57 metric	LH	X	X	X	X	X	X	

<sup>1</sup>SPRINKLERS SHALL BE LIMITED AS PER THE REQUIREMENTS OF AS2118 AND ANY OTHER RELATED DOCUMENTS.

LH: LIGHT HAZARD

## CROSS SECTION



## ORDERING INFORMATION SPECIFY

- Quantity • Model Number • Style • Orifice
- Thread Size • Temperature • Finishes desired
- Quantity - Wrenches - P/N 325390

## GLOBE® PRODUCT WARRANTY

Globe agrees to repair or replace any of its own manufactured products found to be defective in material or workmanship for a period of one year from date of shipment.

For specific details of our warranty please refer to Price List Terms and Conditions of Sale (Our Price List).