



EXTENDED COVERAGE LIGHT HAZARD AUTOMATIC SPRINKLERS GL SERIES HORIZONTAL SIDEWALL

DESCRIPTION AND OPERATION

The Globe Models GL8128, GL8129 and GL8174 Extended Coverage Horizontal Sidewall Sprinklers are a low profile yet durable design which utilizes a 3mm frangible glass ampule as the thermosensitive element. While the sprinkler provides an aesthetically pleasing appearance, it serves to protect various area coverages and should be installed in accordance with NFPA 13. This sprinkler series is available in various temperature ratings and several finishes to meet many varying design requirements.

The heart of Globe's GL Series sprinkler proven actuating assembly is a hermetically sealed frangible glass ampule that contains a precisely measured amount of fluid. When heat is absorbed, the liquid within the bulb expands increasing the internal pressure. At the prescribed temperature the internal pressure within the ampule exceeds the strength of the glass causing the glass to shatter. This results in water discharge which is distributed in an approved pattern.



EXTENDED COVERAGE
HORIZONTAL SIDEWALL

TECHNICAL DATA

- See reverse side for Approvals and Specifications.
- Temperature Ratings -
135°F (57°C), 155°F (68°C), 175°F (79°C), 200° (93°C)
- Water Working Pressure Rating - 175 psi (12 Bars)
- Factory tested hydrostatically to 500 psi (34 Bars)
- Maximum low temperature glass bulb rating is -67°F (-55°C)
- Frame - bronze • Deflector - brass • Screw - brass
- Bulb seat - copper • Spring - nickel alloy • Seal - teflon
- Bulb - glass with alcohol based solution, 3mm size
- Escutcheon Assembly - steel



EXTENDED COVERAGE
RECESSED
HORIZONTAL SIDEWALL

• SPRINKLER TEMPERATURE RATING/CLASSIFICATION and COLOR CODING

CLASSIFICATION	AVAILVABLE SPRINKLER TEMPERATURES	BULB COLOR	N.F.P.A. MAXIMUM CEILING TEMPERATURE
ORDINARY	135°F/155°F	ORANGE/RED	100°F
INTERMEDIATE	175°F/200°F	YELLOW/GREEN	150°F
	57°C/68°C		38°C
	79°C/93°C		66°C

EXTENDED COVERAGE LIGHT HAZARD AUTOMATIC SPRINKLERS GL SERIES HORIZONTAL SIDEWALL

SPECIFICATIONS AND APPROVALS

SIN MODEL	STYLE	NOMINAL "K" FACTOR	THREAD SIZE	LENGTH	FINISHES	cULus	NYC-DOB MEA 101-92-E
GL8128 GL8129 GL8174	HORIZONTAL SIDEWALL	8.0 (115 metric)	3/4"NPT (20mm)	3" (7.6cm)	Factory Bronze Chrome White Polyester ² Black Polyester ^{1,2}	X	X

NOTE: METRIC CONVERSIONS ARE APPROXIMATE.

¹FINISHES AVAILABLE ON SPECIAL ORDER. ²AVAILABLE AS cULus LISTED AS CORROSION RESISTANT WHEN SPECIFIED ON ORDER.

cULus LISTING DESIGN - USE REQUIREMENTS FOR LIGHT HAZARDS ONLY

SIN MODEL	STYLE	TEMPERATURES				MAX. AREA OF COVERAGE WIDTH x LENGTH Feet (Meters)	MIN. PRESSURE P.S.I. (bars)	MIN. FLOW G.P.M. (L/min.)	DEFLECTOR TO CEILING DISTANCE Inches (mm)	MIN. DISTANCE BETWEEN SPRINKLERS Feet (Meters)
		135°F (57°C)	155°F (68°C)	175°F (79°C)	200°F (93°C)					
GL8128	HORIZONTAL SIDEWALL & RECESSED HORIZONTAL SIDEWALL	QR	QR	QR	QR	16 (4.9) x 16 (4.9)	10.3 (.71)	26 (98)	4 (101.6) to 6 (152.4)	6 (1.8)
		QR	SR	---	SR	16 (4.9) x 18 (5.5)	12.8 (.88)	29 (110)		
		QR*	SR	---	---	16 (4.9) x 20 (6.1)	16.6 (1.14)	33 (125)		
		QR*	SR**	---	---	16 (4.9) x 22 (6.7)	20.8 (1.43)	37 (140)		
GL8129	HORIZONTAL SIDEWALL & RECESSED HORIZONTAL SIDEWALL	QR	QR	QR	QR	16 (4.9) x 16 (4.9)	10.3 (.71)	26 (98)	6 (152.4) to 12 (304.8)	6 (1.8)
		QR	QR	QR	SR	16 (4.9) x 18 (5.5)	12.8 (.88)	29 (110)		
		QR	SR	---	SR	16 (4.9) x 20 (6.1)	16.6 (1.14)	33 (125)		
		QR*	SR	---	---	16 (4.9) x 22 (6.7)	20.8 (1.43)	37 (140)		
GL8174	HORIZONTAL SIDEWALL & RECESSED HORIZONTAL SIDEWALL	SR	---	---	---	16 (4.9) x 16 (4.9)	12.0 (.83)	28 (106)	12 (304.8) to 18 (457.2)	6 (1.8)
		SR	---	---	---	16 (4.9) x 18 (5.5)	14.6 (1.00)	31 (117)		
		SR	---	---	---	16 (4.9) x 20 (6.1)	18.7 (1.29)	35 (132)		
		SR	---	---	---	16 (4.9) x 22 (6.7)	20.8 (1.43)	37 (140)		

NOTE: METRIC CONVERSIONS ARE APPROXIMATE

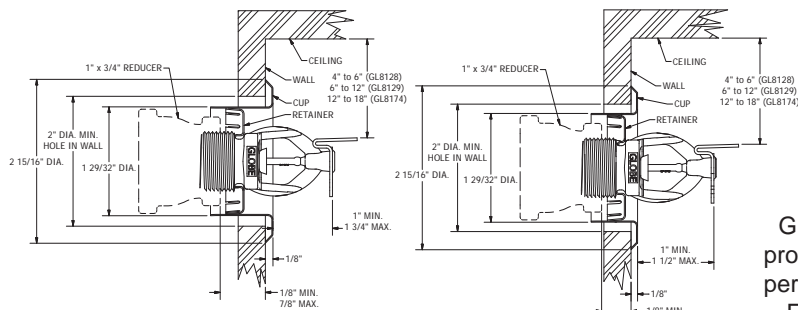
SPRINKLERS SHALL BE LIMITED AS PER THE REQUIREMENTS OF NFPA13 AND ANY OTHER RELATED DOCUMENTS.

FOR COVERAGE AREA DIMENSIONS LESS THAN OR BETWEEN THOSE INDICATED, USE THE MINIMUM FLOW FOR THE NEXT HIGHEST COVERAGE AREA FOR WHICH HYDRAULIC DESIGN CRITERIA ARE STATED.

*LISTED FOR USE WITH 1/2" ADJUSTABLE RECESSED CUP.

**NOT LISTED FOR RECESSED INSTALLATIONS.

CROSS SECTIONS



3/4" ADJUSTMENT

1/2" ADJUSTMENT

ORDERING INFORMATION SPECIFY

- Quantity • Model Number • Style • Orifice
- Thread Size • Temperature • Finishes desired
- Quantity - Wrenches - P/N 312366
- Quantity - Recessed Wrenches - P/N 325401
- Quantity - Protective Caps - P/N 327109-CAP (Friction Fit Recessed)

GLOBE® PRODUCT WARRANTY

Globe agrees to repair or replace any of its own manufactured products found to be defective in material or workmanship for a period of one year from date of shipment.

For specific details of our warranty please refer to Price List Terms and Conditions of Sale (Our Price List).