



**QUICK RESPONSE
EXTENDED COVERAGE
LIGHT HAZARD
AUTOMATIC SPRINKLERS
MODEL GL1112
PENDENT • RECESSED PENDENT**

DESCRIPTION AND OPERATION

The Globe Quick Response Model GL1112 Extended Coverage Extra Large Orifice Pendent Sprinkler for Light Hazard occupancies is a low profile yet durable design which utilizes a 3mm frangible glass ampule as the thermosensitive element. This provides sprinkler operation approximately six times faster than ordinary sprinklers. The Extended Coverage Light Hazard Quick Response Sprinkler provides an aesthetically pleasing appearance and offers the additional feature of greatly increased safety to life. It can be installed wherever light hazard extended coverage pendent sprinklers are specified. Quick Response Sprinklers should be used advisedly and under the direction of approving authorities having jurisdiction and in accordance with their listings.

The heart of Globe's Model GL1112 sprinkler proven actuating assembly is a hermetically sealed frangible glass ampule that contains a precisely measured amount of fluid. When heat is absorbed, the liquid within the bulb expands increasing the internal pressure. At the prescribed temperature the internal pressure within the ampule exceeds the strength of the glass causing the glass to shatter. This results in water discharge which is distributed in an approved pattern.

TECHNICAL DATA

- See reverse side for Approvals and Specifications.
- Temperature Ratings - 135°F (57°C), 155°F (68°C), 175°F (79°C), 200°F (93°C)
- Water Working Pressure Rating - 175 psi (12 Bars)
- Factory tested hydrostatically to 500 psi (34 Bars)
- Maximum low temperature glass bulb rating is -67°F (-55°C)
- Frame - bronze • Deflector - brass • Screw - brass
- Bulb seat - copper • Spring - nickel alloy • Seal - teflon
- Bulb - glass with alcohol based solution, 3mm size
- Escutcheon Assembly - steel



**QUICK RESPONSE
EXTENDED COVERAGE
LIGHT HAZARD
PENDENT
GL1112**



**QUICK RESPONSE
EXTENDED COVERAGE
LIGHT HAZARD
RECESSED PENDENT
GL1112**

• SPRINKLER TEMPERATURE RATING/CLASSIFICATION and COLOR CODING

CLASSIFICATION	AVAILABLE SPRINKLER TEMPERATURES	BULB COLOR	N.F.P.A. MAXIMUM CEILING TEMPERATURE
ORDINARY	135°F/155°F	ORANGE/RED	100°F
INTERMEDIATE	175°F/200°F	YELLOW/GREEN	150°F
	57°C/68°C		38°C
	79°C/93°C		66°C

QUICK RESPONSE
EXTENDED COVERAGE
LIGHT HAZARD
EXTRA LARGE ORIFICE
AUTOMATIC SPRINKLERS
MODEL GL1112
PENDENT • RECESSED PENDENT

SPECIFICATIONS AND APPROVALS

SIN MODEL	NOMINAL "K" FACTOR	HAZARD ¹	THREAD SIZE	LENGTH	FINISHES	cULus
GL1112	11.2 (160 metric)	LIGHT	3/4"NPT (20mm)	2 7/16" (6.2cm)	Factory Bronze Chrome White Polyester ³ Black Polyester ^{2,3}	X

NOTE: METRIC CONVERSIONS ARE APPROXIMATE.

¹ SPRINKLERS SHALL BE LIMITED AS PER THE REQUIREMENTS OF NFPA13 AND ANY OTHER RELATED DOCUMENTS.

² FINISHES AVAILABLE ON SPECIAL ORDER.

³ AVAILABLE AS cULus LISTED CORROSION RESISTANT WHEN SPECIFIED ON ORDER.

cULus LISTING DESIGN - USE REQUIREMENTS FOR LIGHT HAZARD ONLY

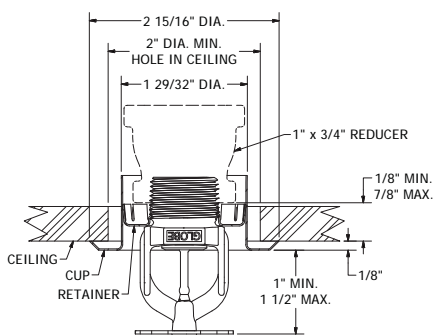
SIN MODEL	STYLE	TEMPERATURE				MAX. AREA OF COVERAGE Feet (Meters)	MIN. PRESSURE P.S.I. (bars)	MIN. FLOW G.P.M. (L/min.)	MIN. DISTANCE BETWEEN SPRINKLERS Feet (Meters)
		135°F (57°C)	155°F (68°C)	175°F (79°C)	200°F (93°C)				
GL1112	PENDENT	X	X	X	X	16 (4.9) x 16 (4.9)	7.0 (.48)	30 (114)	6 (1.8)
	RECESSED PENDENT	3/4"	3/4"	3/4"	3/4"				
	PENDENT	X	X	X	X	18 (5.5) x 18 (5.5)	8.7 (.60)	33 (125)	
	RECESSED PENDENT	3/4"	1/2"	1/2"	1/2"				
	PENDENT	X	X	X	---	20 (6.1) x 20 (6.1)	12.8 (.88)	40 (151)	
	RECESSED PENDENT	3/4"	1/2"	1/2"	---				

NOTE: METRIC CONVERSIONS ARE APPROXIMATE.

1/2": 1/2" RECESSED ADJUSTMENT

3/4": 3/4" RECESSED ADJUSTMENT

CROSS SECTION



RECESSED PENDENT

ORDERING INFORMATION
SPECIFY

- Quantity • Model Number • Style • Orifice
- Thread Size • Temperature • Finishes desired
- Quantity - Wrenches - P/N 333010
- Quantity - Recessed Wrenches - P/N 333011

GLOBE® PRODUCT WARRANTY

Globe agrees to repair or replace any of its own manufactured products found to be defective in material or workmanship for a period of one year from date of shipment.

For specific details of our warranty please refer to Price List Terms and Conditions of Sale (Our Price List).

