

DUCTILE IRON BUTTERFLY VALVES 2½", 3", 4", 6", 8" MODEL GLR300G GROOVED END MODEL GLR300W WAFER STYLE

GENERAL DESCRIPTION

The Globe Models GLR300G and GLR300W Ductile Iron Butterfly Valves are indicating type valves designed and listed for use in fire protection systems. These valves are rated for a maximum working pressure of 300 psi (20 bar) and provide a visual indication as to whether the valve is open or closed. They are provided with 2 sets of factory installed Form-C internal supervisory switches monitoring the valves in the normally open position. These supervisory switches transfer their electrical contacts within the first two revolutions of the handwheel towards the closed position. The valves are available with grooved end connections (GLR300G) or as a wafer style (GLR300W). The GLR300G and GLR300W are typically used as system indicating control/shutoff valves.



GLR300G

TECHNICAL DATA

Approvals

- UL
- ULC
- FM

Factory installed UL Listed and FM Approved Double Tamper Switch for indoor and outdoor use.

Maximum Working Pressure

- 300 psi (20 bar)

Materials of Construction

- **Body:** Ductile Iron
- **Disc:** Ductile Iron
- **Stem:** Stainless Steel
- **Housing:** Ductile Iron
- **Handwheel:** Ductile Iron
- **Indicator:** Ductile Iron

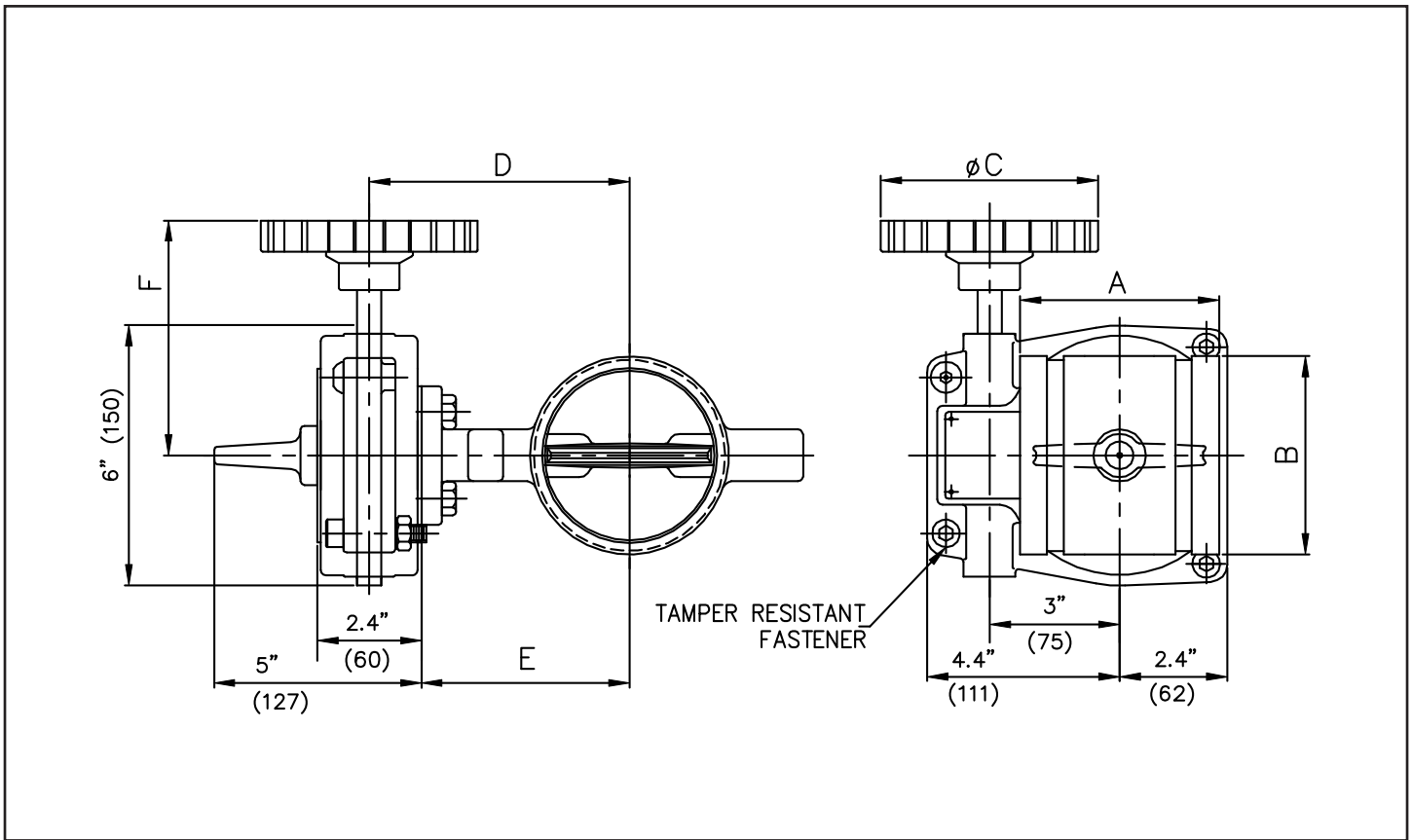


GLR300W

NOTE:

Users should refer to Globe's web site (www.globesprinkler.com) to assure that the most recent technical literature is being utilized.

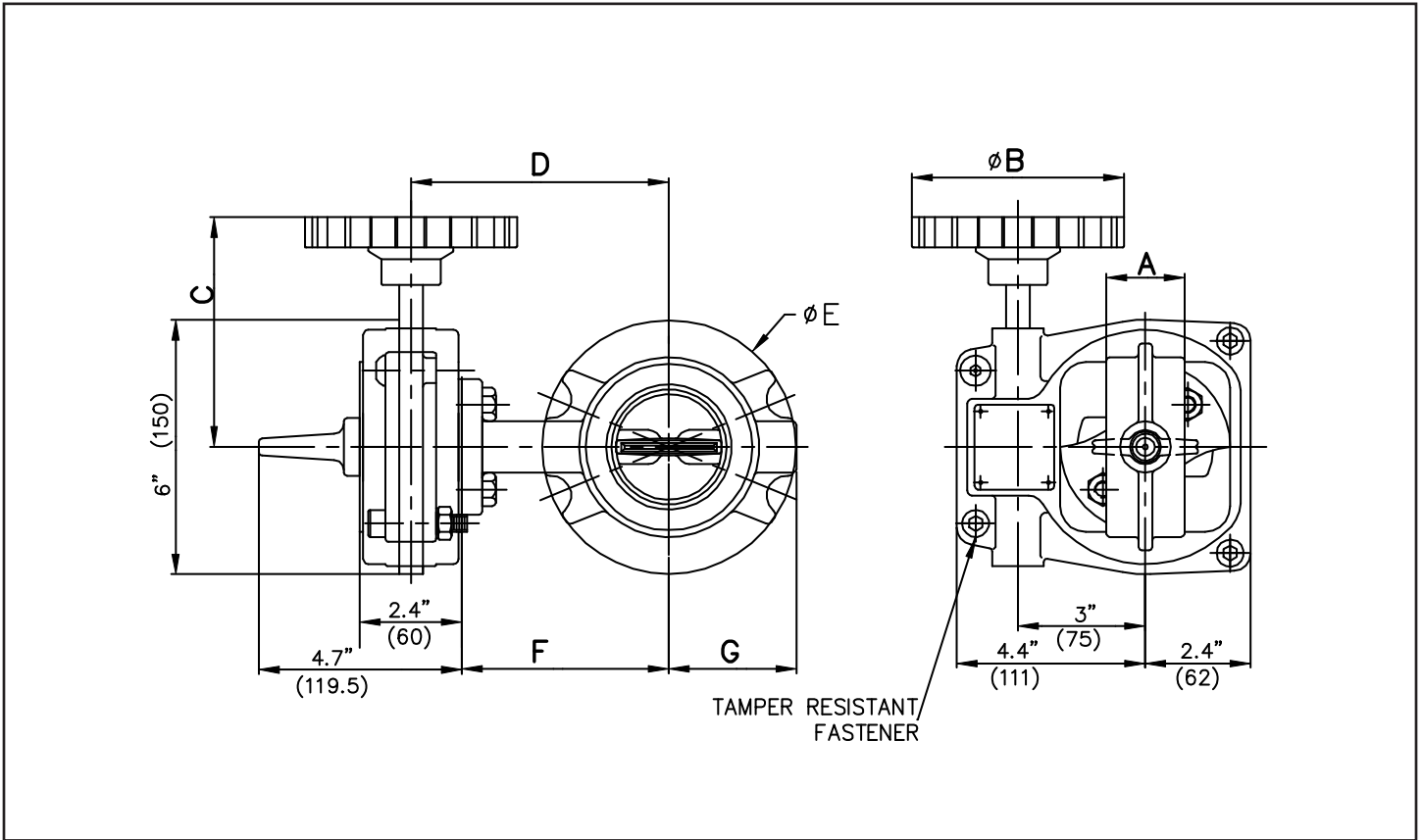
MODEL GLR300G GROOVED END 2" – 8"



SIZE in. (mm)	A in. (mm)	B in. (mm)	C in. (mm)	D in. (mm)	E in. (mm)	F in. (mm)	WEIGHT lb. (kg)	EQ. FTG. LENGTH ft. (mm)
2½" (65)	3.8 (96.4)	2.87 (73.0)	5.04 (128)	5.31 (135)	4.13 (105)	5.31 (135)	19.84 (9.0)	8 (2438)
3" (76)	3.8 (96.4)	3.5 (88.9)	5.04 (128)	5.60 (142)	4.41 (112)	5.31 (135)	20.94 (9.5)	6 (1828)
4" (100)	4.5 (115.4)	4.5 (114.3)	5.04 (128)	6.89 (175)	5.71 (145)	5.31 (135)	25.35 (11.5)	5 (1524)
6" (150)	5.2 (132.4)	6.63 (168.3)	8.66 (220)	8.23 (209)	7.05 (179)	7.60 (193)	38.58 (17.5)	7 (2134)
8" (200)	5.8 (147.4)	8.63 (219.1)	8.66 (220)	9.21 (234)	8.03 (204)	7.60 (193)	50.71 (23.0)	4 (1220)

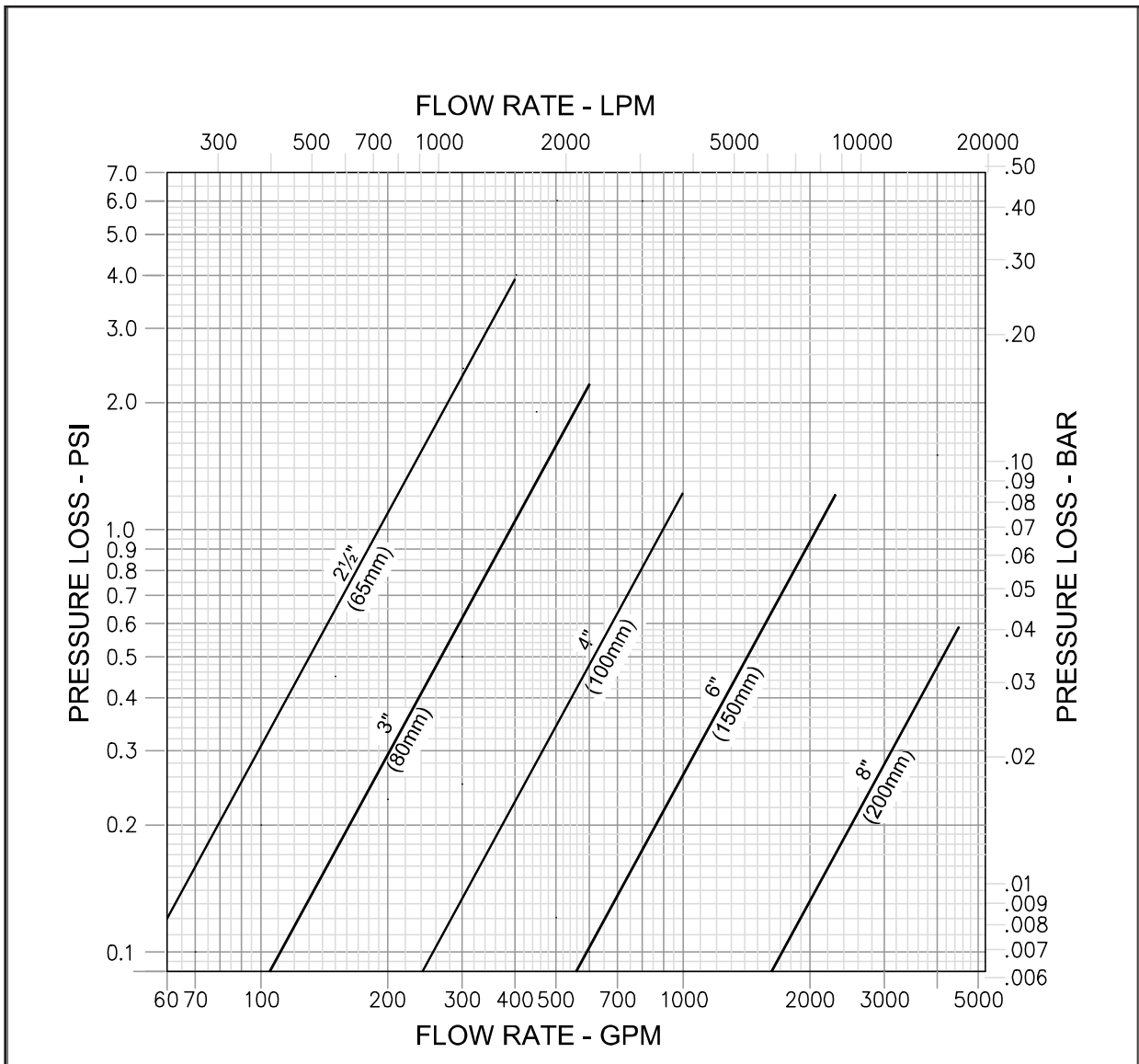
FIGURE 1

MODEL GLR300W WAFER END 2" – 8"



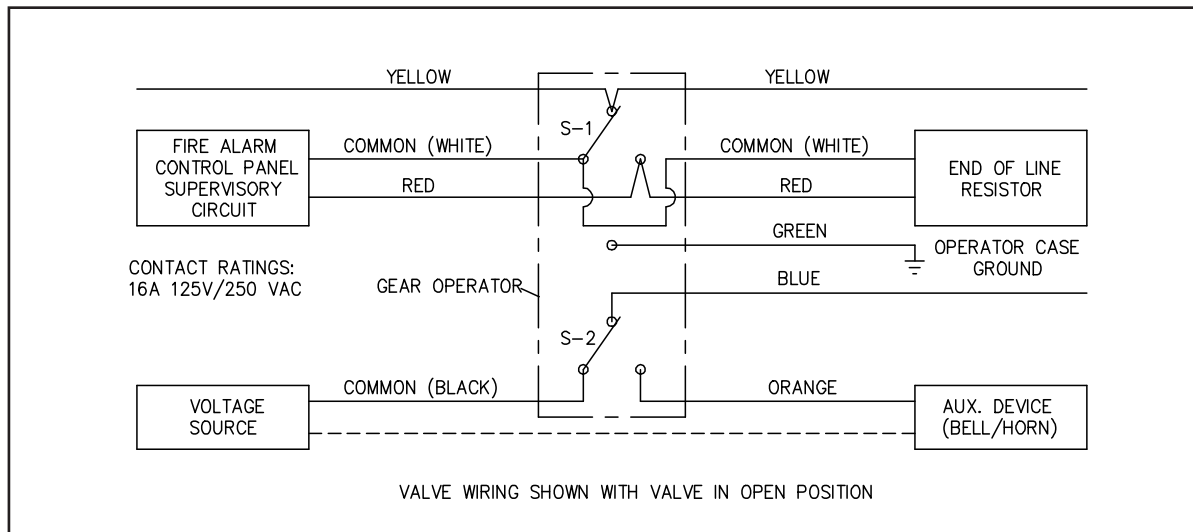
SIZE in. (mm)	A in. (mm)	B in. (mm)	C in. (mm)	D in. (mm)	E in. (mm)	F in. (mm)	WEIGHT lb. (kg)	EQ. FTG. LENGTH ft. (mm)
2½" (65)	1.81 (46)	5.04 (128)	5.31 (135)	6.53 (166)	5.88 (149.4)	5.35 (136)	19.84 (9)	8 (2438)
3" (76)	1.81 (46)	5.04 (128)	5.31 (135)	6.81 (173)	6.62 (168.2)	5.63 (143)	20.50 (9.3)	6 (1828)
4" (100)	2.05 (52)	5.04 (128)	5.31 (135)	7.32 (186)	7.88 (200.2)	6.14 (156)	22.05 (10)	5 (1524)
6" (150)	2.20 (56)	8.66 (220)	7.60 (193)	8.58 (218)	10.62 (269.8)	7.40 (188)	31.97 (14.5)	7 (2134)
8" (200)	2.28 (58)	8.66 (220)	7.60 (193)	10.0 (252)	13.0 (330.2)	8.74 (222)	41.89 (19)	4 (1220)

FIGURE 2



MODEL GLR300G and GLR300W

FIGURE 3



SUPERVISORY SWITCH DIAGRAM

FIGURE 4

CARE & MAINTENANCE

When closing the Butterfly Control Valve for maintenance or inspection work, always first obtain permission from the proper authorities and notify all personnel who may be affected. All Inspections, Testing, and Maintenance, and their frequency, is the responsibility of the Owner and should be performed in accordance with the applicable standards of the National Fire Protection Association (i.e. NFPA 25), in addition to any local jurisdiction requirements which may be in place. It is recommended that a qualified contractor/inspection service be contacted to perform required maintenance on the fire protection system. Any impairment of the Butterfly Valve must be immediately corrected.

ORDERING INFORMATION

SPECIFY:

- MODEL • SIZE • PN

MODEL GLR300G

2½"	311785-G	-D for 65mm
3"	311790-G	
4"	311795-G	
6"	311805-G	-D for 150mm
8"	311815-G	

MODEL GLR300W

2½"	311836-G
3"	311839-G
4"	311846-G
6"	311861-G
8"	311871-G

GLOBE® PRODUCT WARRANTY

Globe agrees to repair or replace any of its own manufactured products found to be defective in material or workmanship for a period of one year from date of shipment. For specific details of our warranty please refer to Price List Terms and Conditions of Sale (Our Price List).

