



QUICK RESPONSE
AUTOMATIC SPRINKLERS GL
SERIES RECESSED PENDENT
TO MEET IBC-ASCE/SEI 7 CODES
FOR SEISMIC AREAS C, D & E

DESCRIPTION AND OPERATION

The Globe Quick Response GL Series Sprinkler is a low profile yet durable design which utilizes a 3mm frangible glass ampule as the thermosensitive element. This provides sprinkler operation approximately six times faster than ordinary sprinklers. While the Quick Response Sprinkler provides an aesthetically pleasing appearance, it can be installed wherever standard spray sprinklers are specified but offers the additional feature of greatly increased safety to life. Quick Response Sprinklers should be used advisedly and under the direction of approving authorities having jurisdiction.

The heart of Globe's GL Series sprinkler proven actuating assembly is a hermetically sealed frangible glass ampule that contains a precisely measured amount of fluid. When heat is absorbed, the liquid within the bulb expands increasing the internal pressure. At the prescribed temperature, the internal pressure within the ampule exceeds the strength of the glass causing the glass to shatter. This results in water discharge which is distributed in an approved pattern depending upon the deflector style used.

The use of the 4 1/2" diameter recessed escutcheon allows for 1" of clearance around the sprinkler body, and meets the IBC-ASCE/SEI 7 requirements for use in seismic design categories C, D & E.

The sprinkler and escutcheon are not factory assembled. Assembly is done at the time of installation.

TECHNICAL DATA

- See reverse side for Approvals and Specifications.
- Temperature Ratings - 135°F (57°C), 155°F (68°C), 175°F (79°C), 200°F (93°C), 286°F (141°C)
- Water Working Pressure Rating - 175 psi (12 Bars)
- Factory tested hydrostatically to 500 psi (34 Bars)
- Maximum low temperature glass bulb rating is -67°F (-55°C)
- Frame - bronze • Deflector - brass • Screw - brass
- Bulb seat - copper • Spring - nickel alloy • Seal - teflon
- Bulb - glass with alcohol based solution, 3mm size
- Escutcheon Assembly - steel



QUICK RESPONSE
RECESSED PENDENT
WITH OPTIONAL 4 1/2" SEISMIC
RECESSED ESCUTCHEON

***SPRINKLER TEMPERATURE RATING/CLASSIFICATION and COLOR CODING**

CLASSIFICATION	AVAILABLE SPRINKLER TEMPERATURES		BULB COLOR	N.F.P.A. MAXIMUM CEILING TEMPERATURE	
ORDINARY	135°F/155°F	57°C/68°C	ORANGE/RED	100°F	38°C
INTERMEDIATE	175°F/200°F	79°C/93°C	YELLOW/GREEN	150°F	66°C
HIGH	286°F	141°C	BLUE	225°F	107°C

QUICK RESPONSE AUTOMATIC SPRINKLERS GL SERIES RECESSED PENDENT TO MEET IBC-ASCE/SEI 7 CODES FOR SEISMIC AREAS C, D & E

SPECIFICATIONS

NOMINAL "K" FACTOR		THREAD SIZE	LENGTH	FINISHES
2.8	(39 metric)	1/2" NPT	2 1/4" (5.7 cm)	Chrome White Polyester ¹
4.2	(59 metric)	1/2" NPT	2 1/4" (5.7 cm)	
5.6	(80 metric)	1/2" NPT	2 1/4" (5.7 cm)	
7.8	(111 metric)	1/2" NPT	2 1/4" (5.7 cm)	
8.1	(116 metric)	3/4" NPT	2 7/16" (6.2 cm)	

NOTE: METRIC CONVERSIONS ARE APPROXIMATE.

¹cULus LISTED CORROSION RESISTANT -
POLYESTER MUST BE SPECIFIED ON ORDER.

APPROVALS

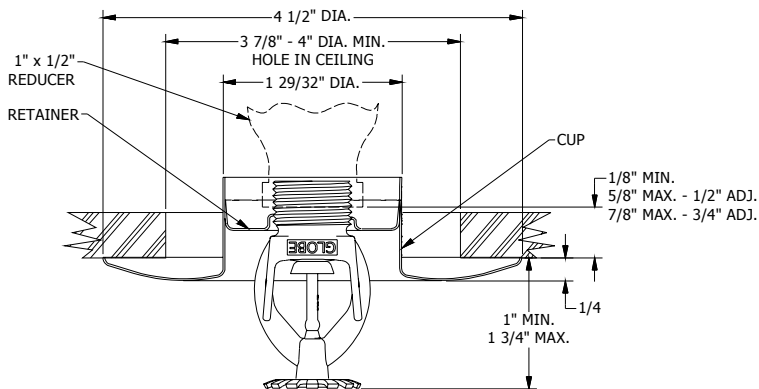
STYLE	SIN MODEL	K FACTOR	135°F 57°C	155°F 68°C	175°F 79°C	200°F 93°C	**286°F 141°C	cULus	FM††	LPC	CE	NYC - DOB MEA 101-92-E
PENDENT RECESSED	GL2801	2.8	X	X	X	X	X	X	---	---	---	X
	GL4201	4.2	X	X	X	X	X	X	---	---	---	X
	GL5601	5.6†	X	X	X	X	X	X	X	X	X	X
	GL8101	7.8†	X	X	X	X	X	X	X	---	---	X
	GL8106	8.1†	X	X	X	X	X	X	X	X	X	X

† 5.6K ORIFICE, 7.8K ORIFICE AND 8.1K ORIFICE LISTED FOR ALL HAZARDS.

**286°F cULus LISTED ONLY.

†† 1/2" RECESSED ESCUTCHEONS ARE REQUIRED FOR FM APPROVED SPRINKLERS.

CROSS SECTIONS



PENDENT WITH OPTIONAL IBC
SEISMIC RECESSED ESCUTCHEON

ORDERING INFORMATION

SPECIFY

- Quantity • Model Number • Style
- Orifice • Thread Sizes • Temperature
- Finishes desired
- Quantity - Recessed Wrenches - P/N 325391 (1/2"); P/N 325401, Rev. F (L.O.)
- Quantity - Protective Caps - P/N 327109-CAP (Friction Fit Recessed)

GLOBE® PRODUCT WARRANTY

Globe agrees to repair or replace any of its own manufactured products found to be defective in material or workmanship for a period of one year from date of shipment.

For specific details of our warranty, please refer to Price List Terms and Conditions of Sale (Our Price List).



4077 AIRPARK DRIVE, STANDISH, MICHIGAN 48658

989-846-4583

1-800-248-0278

FAX 989-846-9231

www.globesprinkler.com