

**AUTOMATIC SPRINKLERS  
GL SERIES 10MM  
UPRIGHT • PENDENT  
RECESSED PENDENT**

**DESCRIPTION AND OPERATION**

The Globe GL Series 10mm Sprinkler is a low profile yet durable design which utilizes a frangible glass ampule as the thermosensitive element. While the 10mm sprinkler provides an aesthetically pleasing appearance, it can be installed wherever standard spray sprinklers are specified. This sprinkler series is available in various styles, temperature ratings and finishes to meet varying design requirements.

The heart of Globe's GL Series sprinkler proven actuating assembly is a hermetically sealed frangible glass ampule that contains a precisely measured amount of fluid. When heat is absorbed, the liquid within the bulb expands increasing the internal pressure. At the prescribed temperature the internal pressure within the ampule exceeds the strength of the glass causing the glass to shatter. This results in water discharge which is distributed in an approved pattern depending upon the deflector style used.

The sprinkler and escutcheon are not factory assembled. Assembly is done in the field.



**UPRIGHT**



**PENDENT**



**RECESSED PENDENT**

**TECHNICAL DATA**

- See reverse side for Approvals and Specifications.
- Temperature Ratings - 57°C (135°F), 68°C (155°F), 79°C (175°F), 93°C (200°F), 141°C (286°F), 182°C (360°F)
- Water Working Pressure Rating - 12 Bars
- Factory tested hydrostatically to 34 Bars
- Maximum low temperature glass bulb rating is -55°C (-65°F)
- Frame - bronze • Deflector - brass • Screw - brass
- Bulb seat - copper • Spring - nickel alloy • Seal - teflon
- Bulb - glass with glycerin solution, 5mm size.
- **SPRINKLER TEMPERATURE RATING/CLASSIFICATION and COLOR CODING**

CLASSIFICATION	AVAILABLE SPRINKLER TEMPERATURES		BULB COLOR	N.F.P.A. MAXIMUM CEILING TEMPERATURE	
	°C	°F		°C	°F
ORDINARY	57°C	135°F	ORANGE/RED	38°C	100°F
INTERMEDIATE	79°C	175°F	YELLOW/GREEN	66°C	150°F
HIGH	141°C	286°F	BLUE	107°C	225°F
EXTRA HIGH	182°C	360°F	MAUVE	149°C	300°F

# AUTOMATIC SPRINKLERS

## GL SERIES 10MM

### UPRIGHT • PENDENT

### RECESSED PENDENT

## SPECIFICATIONS

NOMINAL "K" FACTOR	THREAD SIZE	LENGTH	FINISHES
57 METRIC	10MM (ISO 7/1-R3/8)	5.7 CM	FACTORY BRONZE SATIN CHROME <sup>1</sup> BRIGHT CHROME <sup>3</sup> WHITE POLYESTER <sup>3</sup> BLACK POLYESTER <sup>3</sup> WAX COATED <sup>2,3</sup> LEAD COATED <sup>1,3</sup> WAX OVER LEAD <sup>2,3</sup>

NOTE: METRIC CONVERSIONS ARE APPROXIMATE.

<sup>1</sup>FINISHES AVAILABLE ON SPECIAL ORDER.

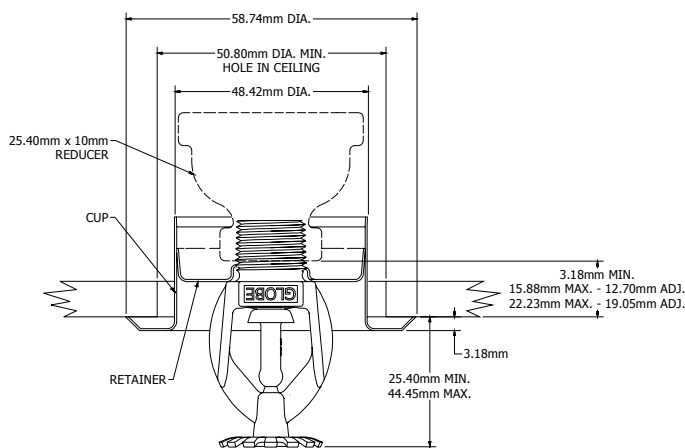
<sup>2</sup>WAX COATING UL LISTED UP TO 200°F ONLY.

<sup>3</sup>cULus LISTED CORROSION RESISTANT POLYESTER MUST BE SPECIFIED ON ORDER.

## APPROVALS

STYLE	SIN MODEL	K FACTOR	57°C 135°F	68°C 155°F	79°C 175°F	93°C 200°F	141°C 286°F	182°C 360°F	cULus
UPRIGHT	GL4262	57 METRIC	X	X	X	X	X	X	X
PENDENT RECESSED PENDENT	GL4252	57 METRIC	X	X	X	X	X	X	X

## CROSS SECTION



RECESSED PENDENT

## ORDERING INFORMATION

### SPECIFY

- Quantity • Model Number • Style
- Orifice • Thread Sizes • Temperature
- Quantity - Wrenches - P/N 325390

## GLOBE® PRODUCT WARRANTY

Globe agrees to repair or replace any of its own manufactured products found to be defective in material or workmanship for a period of one year from date of shipment.

For specific details of our warranty please refer to Price List Terms and Conditions of Sale (Our Price List).



4077 AIRPARK DRIVE, STANDISH, MICHIGAN 48658

989-846-4583

1-800-248-0278

FAX 989-846-9231

www.globesprinkler.com