



QUICK RESPONSE AUTOMATIC SPRINKLERS GL SERIES CONCEALED PENDENT

DESCRIPTION AND OPERATION

The Globe Quick Response Series GL-QR/C Concealed Pendent Sprinkler is a low profile, aesthetically pleasing design. It provides sprinkler operation approximately six times faster than ordinary sprinklers and can be installed wherever standard concealed spray sprinklers are specified when allowed by the applicable standards. It offers the additional feature of greatly increased safety to life and should be used advisedly and under the direction of approving authorities having jurisdiction. The Sprinkler is available with 1/8" adjustment and a low profile cover plate assembly. All that is seen at the ceiling is a 3 5/16" diameter ceiling plate color finished to match the specifier's exact requirements. The Series GL-QR Concealed Sprinkler may be virtually invisible as it does not interrupt the "smooth flow" of the ceiling. Globe's Concealed Sprinkler utilizes its 3mm frangible glass ampule type sprinkler which is located above the ceiling and concealed from view by the ceiling plate. The ceiling plate is soldered to the sprinkler's special upper support assembly in three places. Upon the application of sufficient heat, the plate falls to the floor exposing the quick response pendent spray sprinkler. At the ampule's rated temperature, the sprinkler opens discharging water onto the floor in its required and approved distribution pattern.

A special spring is attached to the pendent sprinkler deflector that serves to provide a constant tension against the ceiling plate. This feature virtually ensures freedom from environmental vibration problems.

TECHNICAL DATA

- See reverse side for Approvals and Specifications.
- Temperature Ratings -
- 135°F (57°C) Sprinkler, 135°F (57°C) Cover Plate
- 155°F (68°C) Sprinkler, 135°F (57°C) Cover Plate
- 175°F (79°C) Sprinkler, 155°F (68°C) Cover Plate
- 200°F (93°C) Sprinkler, 155°F (68°C) Cover Plate
- Water Working Pressure Rating - 175 psi (12 Bars)
- Factory tested hydrostatically to 500 psi (34 Bars)
- Maximum low temperature glass bulb rating is -67°F (-55°C)
- Frame - bronze • Deflector - brass • Screw - brass
- Bulb Seat - copper • Spring - nickel alloy • Seal - teflon
- Bulb - glass with alcohol based solution, 3mm size
- Cover Plate - brass
- Upper Escutcheon Assembly - steel



**SERIES GL-QR/C
CONCEALED
PENDENT**

• SPRINKLER TEMPERATURE RATING/CLASSIFICATION and COLOR CODING

CLASSIFICATION	AVAILABLE SPRINKLER TEMPERATURES		BULB COLOR	N.F.P.A. MAXIMUM CEILING TEMPERATURE	
ORDINARY	135°F/155°F	57°C/68°C	ORANGE/RED	100°F	38°C
INTERMEDIATE	175°F/200°F	79°C/93°C	YELLOW/GREEN	150°F	66°C

QUICK RESPONSE AUTOMATIC SPRINKLERS GL SERIES CONCEALED PENDENT

SPECIFICATIONS

NOMINAL "K" FACTOR	THREAD SIZE	LENGTH	FLAT COVER PLATE FINISHES***
2.8 (39 metric)	1/2"NPT (15mm)	2 1/2" (6.4cm)	Chrome
4.2 (59 metric)			White Painted
5.6 (80 metric)			Other Painted Finishes ^{1,2}

NOTE: METRIC CONVERSIONS ARE APPROXIMATE.

¹ FINISHES AVAILABLE ON SPECIAL ORDER.

² FOR PAINTED PLATES OTHER THAN WHITE, CONTACT GLOBE FOR ORDERING SPECIFICATIONS.

***FACTORY PAINTED COVER PLATES MUST NOT BE REPAINTED. NON-FACTORY APPLIED PAINT MAY ADVERSELY DELAY OR PREVENT SPRINKLER OPERATION IN THE EVENT OF A FIRE.

LISTINGS/APPROVALS

STYLE	SIN	"K" FACTOR	HAZARD ¹	135°F (57°C) Cover Plate		155°F (68°C) Cover Plate		cULus	LPCB ²	CE	MIN. DISTANCE BETWEEN SPRINKLERS Feet (Meters)
				135°F (57°C) Sprinkler	155°F (68°C) Sprinkler	175°F (79°C) Sprinkler	200°F (93°C) Sprinkler				
Concealed Pendent	GL2804	2.8	LH	X	X	X	X	X	-	-	6 (1.8)
	GL4204	4.2	LH	X	X	X	X	X	-	-	
	GL5604	5.6	ALL	X	X	X	X	X	X	X	

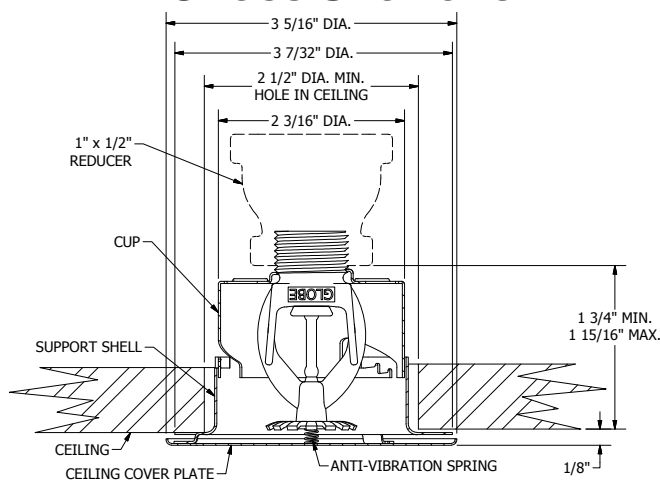
¹SPRINKLER SHALL BE LIMITED AS PER THE REQUIREMENTS OF NFPA13 AND ANY OTHER RELATED DOCUMENTS.

LH: LIGHT HAZARD

ALL: ALL HAZARDS

²LPCB REF. NO. 147c/05

CROSS SECTIONS



**1/8" ADJUSTMENT FLAT PLATE
CONCEALED PENDENT**

3 5/16" DIA. FLAT COVER PLATE S/A PART NUMBERS

FINISH	135°F (57°C)	155°F (68°C)
CHROME	325435	325440
WHITE	325437	325442

ORDERING INFORMATION SPECIFY

• Quantity • SIN • Style • Orifice Thread Sizes

• Temperature • Finish desired • Quantity - Concealed

Wrenches - P/N 325391 • Quantity - Protective Caps - P/N 327119

GLOBE® PRODUCT WARRANTY

Globe agrees to repair or replace any of its own manufactured products found to be defective in material or workmanship for a period of one year from date of shipment.

For specific details of our warranty please refer to Price List Terms and Conditions of Sale (Our Price List).

4077 AIRPARK DRIVE, STANDISH, MICHIGAN 48658

989-846-4583

FAX 989-846-9231

1-800-248-0278

www.globesprinkler.com

