

## **SPRINKLER GUARDS AND SHIELDS**

### **GUARD MODELS JG & JGS**

### **SHIELD MODEL GL SERIES**

#### **GENERAL DESCRIPTION**

Globe Model JG sprinkler guards are accessories designed to protect specific GL Series sprinklers where the potential of mechanical damage might be expected. In addition, GL Series water shields are used to protect the sprinkler's thermosensitive element from the water spray discharge of higher elevation sprinklers. The use of the Model JGS guard and shield assembly with an appropriate upright sprinkler provides an approved "Intermediate Level" upright sprinkler assembly suitable for rack storage applications (See Table A for specific approvals). Likewise, the use of the GL Series water shield with an appropriate pendent sprinkler, provides a listed/approved "Intermediate Level" pendent sprinkler assembly suitable for rack storage applications (See Table A for specific listings/approvals). If a head guard is also desired for this pendent "Intermediate Level" sprinkler assembly, the JG head guard, in accordance with Table A, may be utilized in addition to the shield. The guards are available in red or chrome plated.



**Model JG - (cULus)**  
**Part No. 312253-1 (Red)**  
**Part No. 312253-C (Chrome)**



**Model JG - (FM)**  
**Part No. 312253-1-B (Red)**



**Model JGS**  
**Part No. 321406**  
*(Red enamel painted)*  
**Part No. 321407**  
*(Chrome plated)*



**GL Series Shield**  
**Part No. 325706**  
*1/2" NPT*  
**Part No. 325707**  
*3/4" NPT*

#### **TECHNICAL DATA**

##### **Approvals**

- See Table A on page 2

##### **Material**

- Headguard - steel
- Water shield - steel - 3¾" Diameter

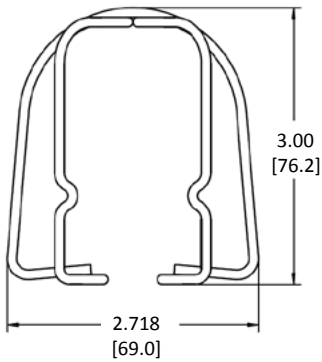
##### **Finish**

- Headguard - red or chrome
- Water shield - zinc plated

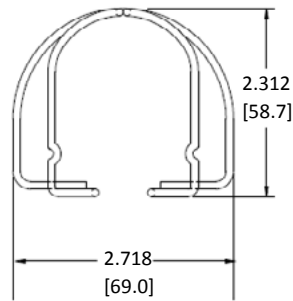
**NOTE:** Users should refer to Globe's web site ([www.globesprinkler.com](http://www.globesprinkler.com)) to assure that the most recent technical literature is being utilized.

**TABLE A. SPRINKLER GUARD, SHIELD, LISTINGS & APPROVALS**

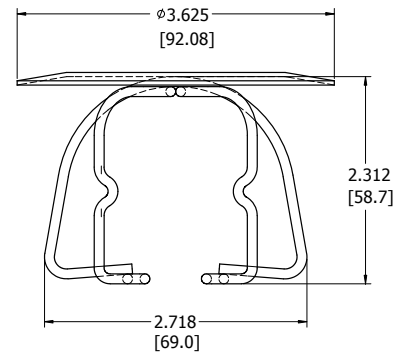
| SIN NO. | T.D.S.   | RESPONSE | ORIENTATION | K-FACTOR | NPT  | MODEL JG<br>312253-1-B<br>312253-C-B | MODEL JG<br>312253-1<br>312253-C | SHIELD              | MODEL<br>JGS |
|---------|----------|----------|-------------|----------|------|--------------------------------------|----------------------------------|---------------------|--------------|
| GL5601  | GFS-100a | QUICK    | PENDENT     | 5.6      | 1/2" | FM                                   | cULus                            | cULus, FM           | N/A          |
| GL5601  | GFS-400  | QUICK    | PENDENT     | 5.6      | 1/2" | FM                                   | cULus                            | cULus, FM           | N/A          |
| GL5615  | GFS-100a | QUICK    | UPRIGHT     | 5.6      | 1/2" | FM                                   | cULus                            | N/A                 | cULus, FM    |
| GL5617  | GFS-400  | QUICK    | UPRIGHT     | 5.6      | 1/2" | N/A                                  | N/A                              | Assembled cULus, FM | N/A          |
| GL5651  | GFS-430  | STANDARD | PENDENT     | 5.6      | 1/2" | FM                                   | cULus                            | cULus, FM           | N/A          |
| GL5661  | GFS-100b | STANDARD | UPRIGHT     | 5.6      | 1/2" | FM                                   | cULus                            | N/A                 | cULus, FM    |
| GL5663  | GFS-430  | STANDARD | UPRIGHT     | 5.6      | 1/2" | N/A                                  | N/A                              | Assembled cULus, FM | N/A          |
| GL8101  | GFS-400  | QUICK    | PENDENT     | 8.0      | 1/2" | N/A                                  | cULus                            | cULus               | N/A          |
| GL8106  | GFS-400  | QUICK    | PENDENT     | 8.0      | 3/4" | FM                                   | cULus                            | cULus, FM           | N/A          |
| GL8115  | GFS-100a | QUICK    | UPRIGHT     | 8.0      | 1/2" | N/A                                  | cULus                            | N/A                 | cULus        |
| GL8117  | GFS-400  | QUICK    | UPRIGHT     | 8.0      | 1/2" | N/A                                  | N/A                              | Assembled cULus     | N/A          |
| GL8118  | GFS-100a | QUICK    | UPRIGHT     | 8.0      | 3/4" | FM                                   | cULus                            | N/A                 | cULus, FM    |
| GL8120  | GFS-400  | QUICK    | UPRIGHT     | 8.0      | 3/4" | N/A                                  | N/A                              | Assembled cULus, FM | N/A          |
| GL8151  | GFS-430  | STANDARD | PENDENT     | 8.0      | 1/2" | N/A                                  | cULus                            | cULus               | N/A          |
| GL8156  | GFS-430  | STANDARD | PENDENT     | 8.0      | 3/4" | FM                                   | cULus                            | cULus, FM           | N/A          |
| GL8161  | GFS-100b | STANDARD | UPRIGHT     | 8.0      | 1/2" | N/A                                  | cULus                            | N/A                 | cULus        |
| GL8163  | GFS-430  | STANDARD | UPRIGHT     | 8.0      | 1/2" | N/A                                  | N/A                              | Assembled cULus     | N/A          |
| GL8164  | GFS-100b | STANDARD | UPRIGHT     | 8.0      | 3/4" | FM                                   | cULus                            | N/A                 | cULus, FM    |
| GL8166  | GFS-430  | STANDARD | UPRIGHT     | 8.0      | 3/4" | N/A                                  | N/A                              | Assembled cULus, FM | N/A          |
| GL1114  | GFS-400  | QUICK    | PENDENT     | 11.2     | 3/4" | N/A                                  | cULus                            | cULus               | N/A          |
| GL1123  | GFS-410  | QUICK    | UPRIGHT     | 11.2     | 3/4" | N/A                                  | cULus                            | N/A                 | cULus        |
| GL1124  | GFS-400  | QUICK    | UPRIGHT     | 11.2     | 3/4" | N/A                                  | N/A                              | Assembled cULus     | N/A          |
| GL1160  | GFS-430  | STANDARD | PENDENT     | 11.2     | 3/4" | N/A                                  | cULus                            | cULus               | N/A          |
| GL1167  | GFS-440  | STANDARD | UPRIGHT     | 11.2     | 3/4" | N/A                                  | cULus                            | cULus               | cULus        |
| GL1168  | GFS-430  | STANDARD | UPRIGHT     | 11.2     | 3/4" | N/A                                  | N/A                              | Assembled cULus, FM | N/A          |



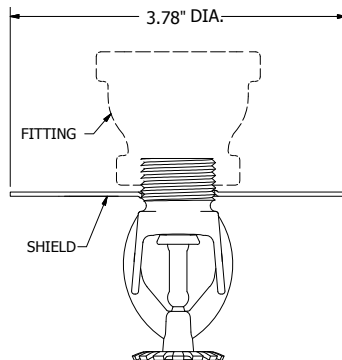
**MODEL JG (cULus)  
FIGURE 1**



**MODEL JG (FM)  
FIGURE 2**



**MODEL JGS  
FIGURE 3**



**GL SERIES SHIELD  
FIGURE 4**

## Installation of Guard Model JG

- Step 1.** Unclip the hooks from the Cage of the sprinkler guard assembly.
- Step 2.** Spread the cage open slightly at the base to provide sufficient space to install the sprinkler guard over the sprinkler frame. (*NOTE* – spreading the cage too much may damage the sprinkler guard)
- Step 3.** With the guard positioned over the sprinkler frame, close the cage such that the notches at the base of the cage fit around the thread relief of the sprinkler. (space between the top of the threads and the wrench flats)
- Step 4.** While holding the cage closed, slide one of the hooks down the cage frame to the notch to where it clicks into place.
- Step 5.** While squeezing the open side of the cage, slide the second hook down to the notch in the same manner as the opposing side
- Step 6.** Inspect the sprinkler and sprinkler guard for any damage. Replace either if any damage is observed.

**NOTE :** *The guard cage may be oriented in any position relative to sprinkler frame arms.*

## Installation of Series GL Shield

The GL Series Shield must be installed onto sprinkler prior to sprinkler installation into fitting. The GL Series Shield may be used on sprinklers alone or in combination with a JG Sprinkler Guard.

- Step 1.** Install the Shield over the sprinkler threads down to the end of the sprinkler threads. (Do not thread shield past threads and onto sprinkler relief area).
- Step 2.** With pipe thread sealant applied, hand tighten the sprinkler into the sprinkler fitting.
- Step 3.** Tighten the sprinkler into the sprinkler fitting using the appropriate sprinkler wrench.
- Step 4.** After the sprinkler is installed, spin the shield back up the threads towards the sprinkler fitting until the shield comes in contact with the fitting.

## ORDERING INFORMATION

### SPECIFY:

- Model • Finish • PN
- JG Red painted . . . . . 312253-1-B
- JG Red painted . . . . . 312253-1
- JG Chrome plated . . . . . 312253-C
  
- JGS Red painted . . . . . 321406
- JGS Chrome plated. . . . . 321407
  
- GL Shield ½" NPT . . . . . 325706
- GL Shield ¾" NPT . . . . . 325707

**NOTE:** See Table A for appropriate Listings/Approval combinations.

## Installation of Shield Series GL with Guard Model JG

The GL Series Shield must be installed onto sprinkler prior to sprinkler installation into fitting.

- Step 1.** Install the Shield over the sprinkler threads down to the end of the sprinkler threads. (Do not thread shield past threads and onto sprinkler relief area).
- Step 2.** With pipe thread sealant applied, hand tighten the sprinkler into the sprinkler fitting.
- Step 3.** Tighten the sprinkler into the sprinkler fitting using the appropriate sprinkler wrench.
- Step 4.** After the sprinkler is installed, spin the shield back up the threads towards the sprinkler fitting until the shield comes in contact with the fitting.
- Step 5.** Unclip the hooks from the Cage of the appropriate sprinkler guard assembly.
- Step 6.** Spread the cage open slightly at the base to provide sufficient space to install the sprinkler guard over the sprinkler frame. (*NOTE* – spreading the cage too much may damage the sprinkler guard)
- Step 7.** With the guard positioned over the sprinkler frame, close the cage such that the notches at the base of the cage fit around the thread relief of the sprinkler (space between the top of the threads and the wrench flats).
- Step 8.** While holding the cage closed, slide one of the hooks down the cage frame to the notch to where it clicks into place.
- Step 9.** While squeezing the open side of the cage, slide the second hook down to the notch in the same manner as the opposing side.
- Step 10.** Inspect the sprinkler and sprinkler guard for any damage. Replace either if any damage is observed.

**NOTE:** *The guard cage may be oriented in any position relative to sprinkler frame arms.*

## GLOBE® PRODUCT WARRANTY

Globe agrees to repair or replace any of its own manufactured products found to be defective in material or workmanship for a period of one year from date of shipment. For specific details of our warranty please refer to Price List Terms and Conditions of Sale (Our Price List).

