



# STANDARD RESPONSE HIGH PRESSURE AUTOMATIC SPRINKLERS GL5657 ADJUSTABLE CONCEALED PENDENT

## DESCRIPTION AND OPERATION

The Globe High Pressure Series GL-SR/HP/DC Concealed Pendent Sprinkler offers the ultimate in low profile, aesthetically pleasing appearance. It is available with 1/2" of adjustment, and may be used in areas where flowing and static pressure do not exceed 300 psi. Globe's Concealed Sprinkler utilizes its frangible glass ampule type sprinkler which is located above the ceiling and concealed from view by the ceiling plate. The plate is soldered to the sprinkler special upper support assembly in three places. Upon the application of sufficient heat, the plate falls to the floor exposing the pendent spray sprinkler. At the ampule's rated temperature, the sprinkler opens discharging water onto the floor in its required and approved distribution pattern.

## TECHNICAL DATA

- See reverse side for Approvals and Specifications.
- Temperature Ratings -
- 135°F (57°C) Sprinkler, 135°F (57°C) Cover Plate
- 155°F (68°C) Sprinkler, 135°F (57°C) Cover Plate
- 175°F (79°C) Sprinkler, 155°F (68°C) Cover Plate
- 200°F (93°C) Sprinkler, 155°F (68°C) Cover Plate
- Water Working Pressure Rating - 300 psi (21 Bars)
- Factory tested hydrostatically to 850 psi (59 Bars)
- Maximum low temperature glass bulb rating is -67°F (-55°C)
- Frame - bronze • Deflector - brass • Screw - brass
- Bulb Seat - copper • Spring - nickel alloy • Seal - teflon
- Bulb - glass with glycerin solution, 5mm size
- Cover Plate - brass • Upper Escutcheon Assembly - steel



**SERIES GL-SR/HP/DC  
HIGH PRESSURE  
CONCEALED PENDENT**

## • SPRINKLER TEMPERATURE RATING/CLASSIFICATION and COLOR CODING

CLASSIFICATION	AVAILABLE SPRINKLER TEMPERATURES		BULB COLOR	N.F.P.A. MAXIMUM CEILING TEMPERATURE	
	135°F/155°F	57°C/68°C		100°F	38°C
ORDINARY	135°F/155°F	57°C/68°C	ORANGE/RED	100°F	38°C
INTERMEDIATE	175°F/200°F	79°C/93°C	YELLOW/GREEN	150°F	66°C

# STANDARD RESPONSE HIGH PRESSURE AUTOMATIC SPRINKLERS GL5657 ADJUSTABLE CONCEALED PENDENT

## SPECIFICATIONS

NOMINAL "K" FACTOR	THREAD SIZE	LENGTH	DOMED COVER PLATE FINISHES***
5.6 (80 metric)	1/2"NPT (15mm)	2 1/4" (5.7cm)	Chrome White Painted Other Painted Finishes <sup>1,2</sup>

NOTE: METRIC CONVERSIONS ARE APPROXIMATE.

<sup>1</sup>FINISHES AVAILABLE ON SPECIAL ORDER.

<sup>2</sup>FOR PAINTED PLATES OTHER THAN WHITE, CONTACT GLOBE FOR ORDERING SPECIFICATIONS.

\*\*\*FACTORY PAINTED COVER PLATES MUST NOT BE REPAINTED. NON-FACTORY APPLIED PAINT MAY ADVERSELY DELAY OR PREVENT SPRINKLER OPERATION IN THE EVENT OF A FIRE.

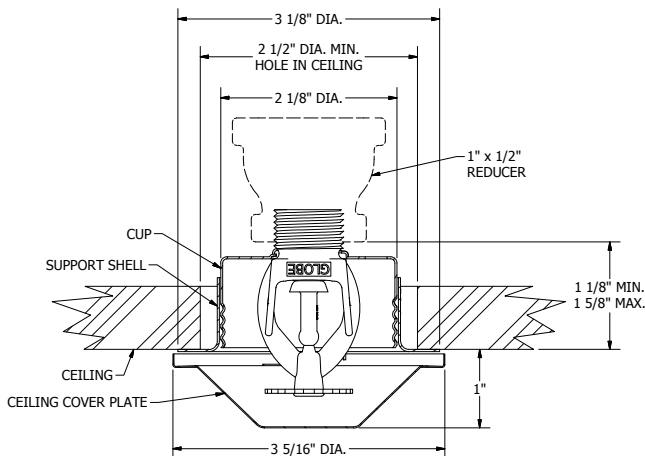
## APPROVALS

STYLE	SIN	"K" FACTOR	HAZARD <sup>1</sup>	135°F (57°C) Cover Plate		155°F (68°C) Cover Plate		cULus	MIN. DISTANCE BETWEEN SPRINKLERS Feet (Meters)
				135°F (57°C) Sprinkler	155°F (68°C) Sprinkler	175°F (79°C) Sprinkler	200°F (93°C) Sprinkler		
Concealed Pendent	GL5657	5.6	ALL	X	X	X	X	X	6 (1.8)

<sup>1</sup>SPRINKLER SHALL BE LIMITED AS PER THE REQUIREMENTS OF NFPA13 AND ANY OTHER RELATED DOCUMENTS.

ALL: ALL HAZARDS

## CROSS SECTIONS



1/2" ADJUSTMENT DOMED PLATE  
CONCEALED PENDENT

3 5/16" DIA. DOMED COVER PLATE S/A PART NUMBERS		
FINISH	135°F (57°C)	155°F (68°C)
CHROME	326046	326051
WHITE	326048	326053

## ORDERING INFORMATION SPECIFY

- Quantity • SIN • Style
- Orifice • Thread Sizes • Temperature
- Finish desired
- Quantity - Concealed Wrenches - P/N 325391
- Quantity - Protective Caps - P/N 327119

## GLOBE® PRODUCT WARRANTY

Globe agrees to repair or replace any of its own manufactured products found to be defective in material or workmanship for a period of one year from date of shipment.

For specific details of our warranty please refer to Price List Terms and Conditions of Sale (Our Price List).

4077 AIRPARK DRIVE, STANDISH, MICHIGAN 48658

989-846-4583

FAX 989-846-9231

1-800-248-0278

www.globesprinkler.com

