

## **AUTOMATIC SPRINKLERS SERIES GL DRY TYPE CAUTION SHEET**



**UPRIGHT**



**PENDENT**



**HORIZONTAL  
SIDEWALL**



**VERTICAL  
SIDEWALL**

### ***LIFE SAFETY PRODUCT — HANDLE WITH CARE***

Any damage or improper installation may cause failure of sprinkler operation.

### **WARNING**

Sprinklers contained in this carton have been tested in accordance with the applicable listing agency standards. Any alteration to the sprinkler after it leaves the factory, including, but not limited to painting, plating, or coating, may render the sprinkler inoperative and may void the Listing of Underwriters Laboratories Inc., FM Approval, the Approval of The Loss Prevention Certification Board as well as Globe's warranty. Glass bulbs are very fragile. Handle with extreme care.



**WARNING:** Cancer and Reproductive Harm – [www.P65Warnings.ca.gov](http://www.P65Warnings.ca.gov)

### **GENERAL HANDLING AND STORAGE**

- Store sprinklers in a cool, dry place. Exposure to extreme heat will damage the thermal sensing element, possibly resulting in premature activation. Avoid direct sunlight.
- To prevent damage do not remove protective shield, strap or covers prior to installation. Carefully remove the protective shield by hand only.
- Prior to installation, sprinklers should be kept in the carton provided with dividers. Sprinklers should never come in direct contact with one another or any other foreign object prior to installation. Globe Fire Sprinkler Corporation is not responsible for glass bulb damage due to improper handling.

### **INSTALLATION**

- Globe sprinklers are to be installed in accordance with the latest published standards of the National Fire Protection Association, Factory Mutual, Loss Prevention Council, Globe Sprinkler data sheets, and all applicable Government agencies.
- DO NOT install any sprinkler that has been dropped or damaged in any way.
- DO NOT install any sprinkler that shows evidence of liquid loss from the glass bulb.
- DO NOT install sprinklers into the fitting until sprinkler pipe and fittings are in place.
- DO NOT use the sprinkler deflector or frame arms to thread the sprinkler into the fitting.
- DO NOT under-tighten or over-tighten the sprinkler.
- DO NOT attempt to remove drywall, paint, etc. from sprinklers.
- DO NOT reuse sprinklers that have operated. Replace sprinklers with the same type, orifice, temperature, response.
- DO NOT attach wiring, ropes, decorations or fixtures to sprinkler or sprinkler piping.
- DO use only the proper sprinkler wrench to install sprinklers. Refer to the specific sprinkler technical data sheet for the correct wrench part number for the sprinkler model used.
- DO apply sprinkler wrench to the outer tube. When this is not possible, the proper sprinkler head wrench may be used with extreme care on lengths less than 18", applied to the wrench flats.
- DO protect sprinklers from paint and paint overspray.

- Minimum operating pressure for dry upright is 12 psi.
- Install Globe Series GL Dry Type Sprinklers in 1" NPT or 3/4" NPT tees only - ANSI B16.3 Class 150 or ANSI B16.4 Class 125. See Figures 1 and 2.
- Never install Globe Series GL Dry Sprinklers into elbow fittings.
- Do not install the Globe Series GL Dry Sprinklers into other types of fittings without consulting the Globe Technical Services Department. Sample fittings will need to be evaluated for compatibility. Failure to use a compatible fitting may result in a failure of the sprinkler to operate properly due to formation of ice in the fitting over the inlet seal, damage to the inlet seal, or insufficient thread engagement resulting in possible leakage.
- When Dry Type Sprinklers are used in wet pipe sprinkler systems protecting areas subject to freezing temperatures, the possibility of water freezing in the connecting pipes due to conduction should be considered. See Figure 3 for recommended lengths.
- Sprinklers subject to mechanical injury shall be protected with listed sprinkler guards.
- Sprinklers of proper rating must be carefully selected to meet the temperature conditions where they are located (see Table A for available temperatures).
- It is the owner's responsibility for inspection, testing and maintenance of the fire sprinkler system and devices in accordance with NFPA 25 and any authority having jurisdiction.
- Dry type sprinklers shall be replaced or tested after 10 years or as conditions warrant in accordance with NFPA 25.
- High temperature dry sprinklers (360°F and higher) should be replaced after 5 years or as conditions warrant.
- When replacing sprinklers in any system, make sure those replacements are of the same style, size, and temperature rating as those removed.
- A change in building structure, occupancy or temperature conditions may indicate a probable change in sprinkler requirements. The owner should notify the insurance carrier or other qualified inspection agency immediately. Do not make any changes without the authorization of one of these agencies.
- Maintain an extra stock of sprinklers and wrenches in a cabinet as required by NFPA 13.
- Concealed sprinklers and recessed sprinklers should not be used if the space above the ceiling is used for delivery (positive pressure) in an HVAC system.
- Globe Fire Sprinkler Corporation sprinklers have been tested, listed/approved by the agencies noted on the individual sprinkler data sheet. Acceptance by other agencies or authorities is not the responsibility of Globe Fire Sprinkler Corporation. Globe Fire Sprinkler Corporation is not liable for any costs arising as a result of any changes to listings or approvals after shipment. The seller makes no warranties express or implied including, but not limited to, the implied warranties of merchantability and fitness for a particular purpose except as expressly stated in seller's sales contract or sales acknowledgment form.

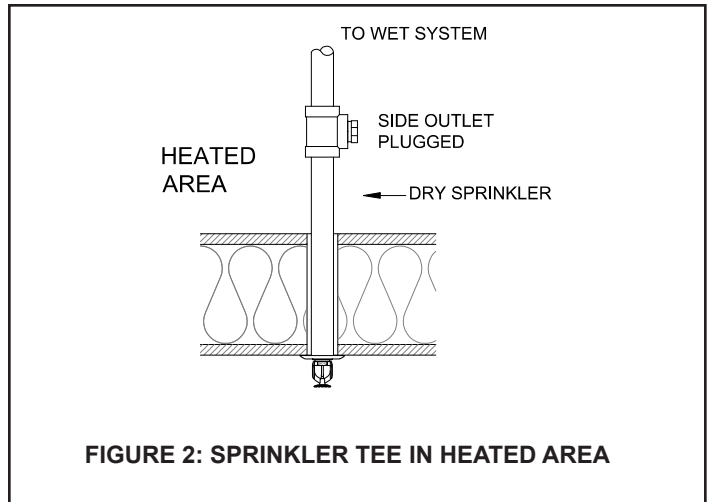
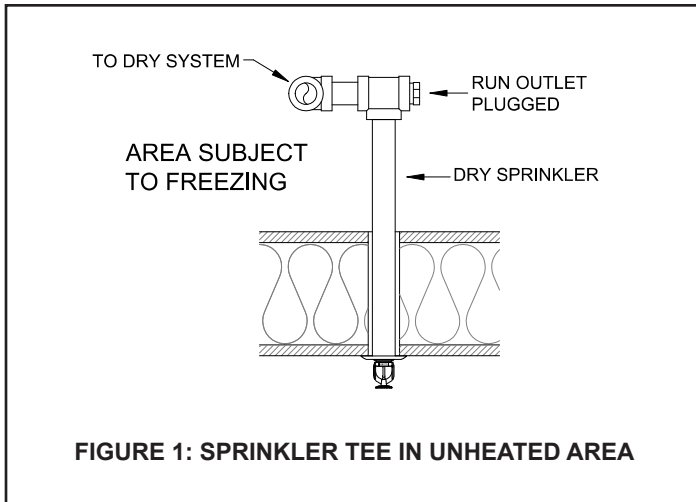
## **POSITION**

*Sprinkler deflectors shall be installed parallel to the ceiling under which they are installed unless otherwise required by the installation standard being utilized.*

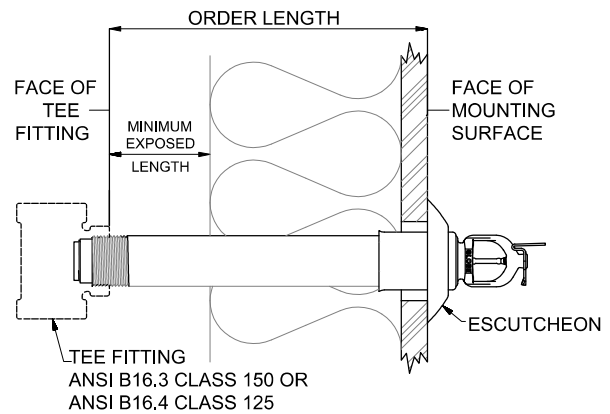
- Standard Upright Spray Sprinkler. Install in upright position only. Identified by "SSU" on deflector.
- Standard Pendent Spray Sprinkler. Install in pendent position only. Identified by "SSP" on deflector.
- Standard Horizontal Sidewall Spray Sprinkler. Install in horizontal position only. Identified by "TOP" on deflector.
- Standard Vertical Sidewall Spray Sprinkler. Install in upright or pendent position. Identified by "SIDEWALL" on deflector.

**TABLE A. TEMPERATURE RATINGS**

<b>SPRINKLER TEMPERATURE</b>	<b>BULB COLOR</b>	<b>MAXIMUM CEILING TEMPERATURE</b>
135°F (57°C)	ORANGE	100°F (38°C)
155°F (68°C)	RED	100°F (38°C)
175°F (79°C)	YELLOW	150°F (66°C)
200°F (93°C)	GREEN	150°F (66°C)
286°F (141°C)	BLUE	225°F (107°C)



AMBIENT TEMPERATURE OF PROTECTED AREA AT THE DISCHARGE END OF THE SPRINKLER		EXPOSED BARREL AMBIENT TEMPERATURE		
		40°F (4°C)	50°F (10°C)	60°F (16°C)
		MINIMUM EXPOSED BARREL LENGTH (FACE OF TEE TO TOP OF CEILING OR INSIDE FACE OF WALL OR INSULATION) Inches (mm)		
40°F	(4°C)	0	0	0
30°F	(-1°C)	0	0	0
20°F	(-7°C)	4 (102)	0	0
10°F	(-12°C)	8 (203)	1 (25)	0
0°F	(-18°C)	12 (305)	3 (76)	0
-10°F	(-23°C)	14 (356)	4 (102)	1 (25)
-20°F	(-29°C)	14 (356)	6 (152)	3 (76)
-30°F	(-34°C)	16 (406)	8 (203)	4 (102)
-40°F	(-40°C)	18 (457)	8 (203)	4 (102)
-50°F	(-46°C)	20 (508)	10 (254)	6 (152)
-60°F	(-51°C)	20 (508)	10 (254)	6 (152)



## GLOBE® PRODUCT WARRANTY

Globe agrees to repair or replace any of its manufactured products found to be defective in material or workmanship for a period of one year from date of shipment.

For specific details of our warranty please refer to Price List Terms and Conditions of Sale (Our Price List).

