



**THE INCH®  
AUTOMATIC SPRINKLERS  
ONE INCH ADJUSTABLE  
CONCEALED PENDENT  
SPRAY SERIES CAUTION**

**READ CAREFULLY - INSTALLATION INSTRUCTIONS**



**2 3/4" Diameter Plate**



**Protective Cap**



**3 5/16" Diameter Plate**

Commercial or Residential Pendent Spray Sprinkler. Install in pendent position only.

**WARNING**

Sprinklers contained in this carton have been manufactured and tested in accordance with the applicable standards or where applicable under the inspection of Underwriters Laboratories Inc., and FM Approvals.

Any alteration to the sprinkler after it leaves the factory including, but not limited to painting, plating, coating or other alteration, including cover plates, may render the sprinkler inoperative and will nullify the Listing of Underwriters Laboratories Inc., and FM Approvals.

Glass bulbs are very fragile. Handle with extreme care. Sprinklers should be kept in the carton provided with dividers at all times prior to installation. Sprinklers should never come in direct contact with one another or any other foreign object prior to installation. Do not place sprinklers in a bucket. Globe Fire Sprinkler Corporation is not responsible for glass bulb damage due to improper handling.



**WARNING:** Cancer and Reproductive Harm – [www.P65Warnings.ca.gov](http://www.P65Warnings.ca.gov)

**IMPORTANT PRECAUTIONS TO FOLLOW**

- Globe Sprinklers are to be installed in accordance with the latest published standards of the National Fire Protection Association, Globe Sprinkler data sheets, Government agencies and/or other similar organizations and to meet local codes and ordinances.
- **The protective cover provided is to be installed after sprinkler installation for integrity as long as work is being done by any contractor in the area. This prevents accidental sprinkler damage. Protective caps are to be removed when cover plates are installed.**
- **Care should be taken not to bend deflector drop pins at installation. Deflector is to fall freely after installation.**
- Never install a sprinkler after it has dropped to the floor or been injured in any way. These sprinklers should be discarded.
- Never install sprinklers in the fittings until the piping is in place on the ceiling as sprinklers are liable to be injured if screwed into the fittings when the lines are made up at the bench.
- Never paint or whitewash sprinklers as this is liable to prevent their operation in a fire.
- Never install sprinklers in pendent position on a dry system unless of a type designed for this purpose and as permitted by NFPA 13 and the authority having jurisdiction.
- Never attach wiring, ropes or fixtures to sprinkler or sprinkler piping.
- Globe's wrench P/N 332765 must be used to install this sprinkler.

**• SPRINKLER TEMPERATURE RATING/CLASSIFICATION and COLOR CODING**

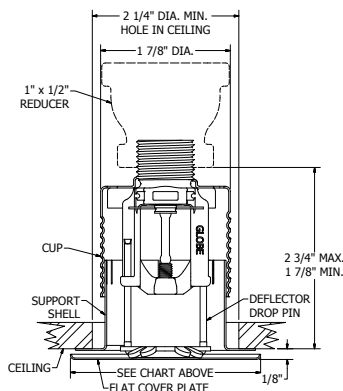
CLASSIFICATION	AVAILABLE SPRINKLER TEMPERATURES	BULB COLOR	N.F.P.A. MAXIMUM CEILING TEMPERATURE
ORDINARY	135°F/155°F    57°C/68°C	ORANGE/RED	100°F    38°C
INTERMEDIATE	175°F/200°F    79°C/93°C	YELLOW/GREEN	150°F    66°C

# THE INCH<sup>®</sup> AUTOMATIC SPRINKLERS ONE INCH ADJUSTABLE CONCEALED PENDENT SPRAY SERIES CAUTION

- Sprinklers must remain separated from each other at all times. Allowing metal parts to come in contact with the glass bulb can cause damage, causing premature operation.
- Store sprinklers in cool, dry place and preferably in their shipping carton.
- Sprinklers of proper rating must be carefully selected to meet the temperature conditions where they are located (see table on reverse side for available temperatures). 175°F (79°C) or lower sprinklers should not be installed in locations less than 30" above or 12" to one side of steam pipes, heating coils or radiators. 200°F (93°C) sprinkler should be used under skylights where exposed to direct sun rays. Consult the local authority having jurisdiction to determine the proper temperature ratings in special locations such as:
  - Areas near unit heaters
  - Areas where low pressure blow-off discharges into a large room
  - Areas in an unventilated concealed space under uninsulated wood or tin roofs
  - Areas in an unventilated attic
  - Areas in a shed with an unventilated peak roof or thin boards or metal
  - Areas where show windows have high powered electric illumination processes
  - Areas where a locomotive enters a building
  - Areas in other locations where special consideration is necessary.
- Inspect sprinklers regularly for mechanical damage, corrosion, paint and dust buildup as outlined in NFPA publications.
- All automatic sprinklers should be replaced in accordance with the latest NFPA 25 requirements, or as conditions warrant.
- When replacing sprinklers in any system, make sure those replacements are of the same style, size, and temperature rating as those removed.
- Should a change in building structure, occupancy or temperature conditions indicate a probable change in sprinkler requirements, notify the insurance carrier or other qualified inspection agency immediately. Do not make any changes without the authorization of one of these agencies.
- Maintain an extra stock of sprinklers and wrenches in a cabinet as required by NFPA 13.
- Concealed sprinklers should not be used if the space above the ceiling is used for delivery (positive pressure) in an HVAC system.
- Globe Fire Sprinkler Corporation sprinklers have been tested, listed or approved by the agencies noted on the individual sprinkler data sheet. Acceptance by other agencies or authorities is not the responsibility of Globe Fire Sprinkler Corporation. Globe Fire Sprinkler Corporation is not liable for any costs arising as a result of any changes to listings or approvals after shipment. The Seller makes no warranties express or implied including, but not limited to, the implied warranties of merchantability and fitness for a particular purpose except as expressly stated in seller's sales contract or sales acknowledgment form.

MODEL	OPTIONAL COVER PLATE SIZE	WHITE		CHROME		MIN. CEILING HOLE DIA.
		135°F (57°C)	155°F (68°C)	135°F (57°C)	155°F (68°C)	
GL5606 GL5653	2 3/4"	332726	332731	332724	332729	2 1/4"
	3 5/16"	332706	332711	332704	332709	2 1/4"
	4 1/2"	332822	332828	332821	332827	3 7/8" - 4"
GL4906	3 5/16"	332892	---	332891	---	2 3/4"
GL5603	3 5/16"	332892	332898	332891	332897	2 3/4"
GL5607 GL5658	70mm (2 3/4")	---	332731	---	332729	57mm (2 1/4")
	84mm (3 5/16")	332706	---	332704	---	

## CROSS SECTION



## GLOBE<sup>®</sup> PRODUCT WARRANTY

Globe agrees to repair or replace any of its own manufactured products found to be defective in material or workmanship for a period of one year from date of shipment.

For specific details of our warranty please refer to Price List Terms and Conditions of Sale (Our Price List).