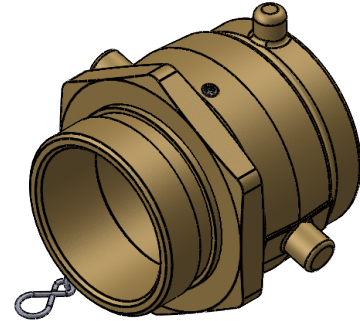


MODEL GFHA

2½" GROOVE X FEMALE HOSE THREAD ADAPTER ASSEMBLY WITH PLUG & CHAIN

GENERAL DESCRIPTION

The 2-1/2" Groove x Female Hose Adapter may be used for connecting a 2-1/2" Hose from the Globe Model FTV Flow Test Valve (See Data Sheet GFV-130) for running the NFPA required 5 year full flow testing of a PRV floor control valve by connecting to the gang drain. The Model GFHA Adapter can be coupled to a standard 2-1/2" grooved connection. The GFHA consists of a swivel type female hose connection and comes equipped with a plug and chain.

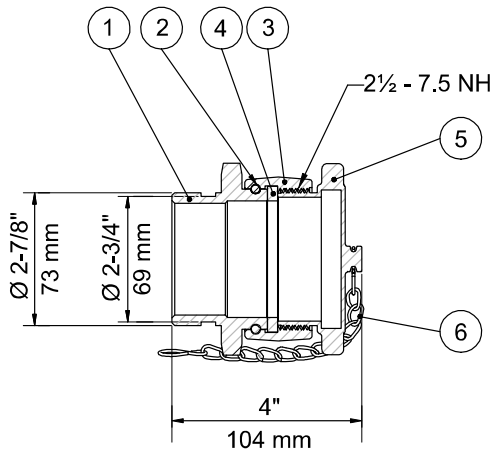


MODEL GFHA

TECHNICAL DATA

Materials of Construction

- Brass



ITEM NO.	DESCRIPTION
1	2½" GROOVED ADAPTER
2	5mm BALL BEARING (Qty. 48)
3	2½" THREADED ADAPTER
4	PLUG SEAL
5	PLUG (Male Hose)
6	CHAIN

ESTIMATED ASSEMBLY WEIGHT: 3.6 LBS. (1.6 KG)

ORDERING INFORMATION

SPECIFY:

- MODEL • SIZE • PN

MODEL GFHA

PART NUMBER

2½" GROOVE x HOSE THREAD ADAPTER . . . 317926

GLOBE® PRODUCT WARRANTY

Globe agrees to repair or replace any of its manufactured products found to be defective in material or workmanship for a period of one year from date of shipment.

For specific details of our warranty please refer to Price List Terms and Conditions of Sale (Our Price List).

