

MODEL ITD INSPECTOR TEST VALVE

GENERAL DESCRIPTION

The 1" Model ITD Inspectors Test Ball valve with labeled sleeve is utilized for scenarios such as end of system Inspectors Test Lines.

It is manufactured with 1" female NPT inlet and outlet. The valve body is brass with a chrome plated brass ball and teflon seat. The handle sleeve is red gloss PVC with white "Inspectors Test" lettering.

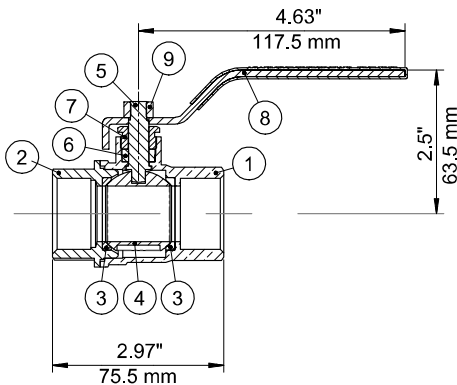
The ITD is a full port ball valve and contains no orifice restriction within. It is intended to be utilized in conjunction with an adequately sized smooth bore orifice placed downstream of the ball valve to simulate sprinkler flow.

TECHNICAL DATA

- Factory Tested to 300 psi (20.6 bar)
- 1" NPT Female x Female
- Contains Lead – Not intended for potable water systems

Materials of Construction

See Figure 1



ITEM NO.	DESCRIPTION	MATERIAL
1	BODY	Brass
2	BONNET	Brass
3	SEAL	Teflon
4	BALL	Chrome Plated Brass
5	STEM	Brass
6	PACKING	Teflon
7	PACKING NUT	Brass
8	1" HANDLE SUB-ASSEMBLY	Steel
9	M8 HEX NUT	Brass

FIGURE 1: MATERIALS OF CONSTRUCTION

ORDERING INFORMATION

SPECIFY:

- QUANTITY • MODEL • PN

MODEL ITD

PART NUMBER 312460

GLOBE® PRODUCT WARRANTY

Globe agrees to repair or replace any of its manufactured products found to be defective in material or workmanship for a period of one year from date of shipment.

For specific details of our warranty please refer to Price List Terms and Conditions of Sale (Our Price List).

