

AUXILIARY DRAIN BALL VALVE

GENERAL DESCRIPTION

The Auxiliary Drain Ball valve with labeled sleeve is utilized for a low point auxiliary drain valve or for drum drip connections for dry pipe systems. It is manufactured with 1" Male NPT inlet x Female NPT outlet. It is shipped with a 1" brass plug conveniently Teflon taped and made-in to the outlet. The 1" Male NPT inlet eliminates the need to make-in an additional pipe nipple into the low point piping. The valve body is brass with a chrome plated brass ball and teflon seat. The handle sleeve is red gloss PVC with white "Aux. Drain" lettering.

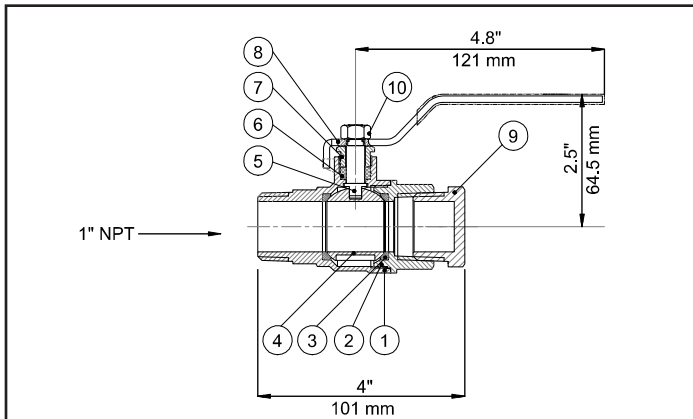


TECHNICAL DATA

- Factory Tested to 300 psi (20.6 bar)
- Male x Female NPT (with Plug)
- Contains Lead – Not intended for potable water systems

Materials of Construction

See Figure 1



ITEM NO.	DESCRIPTION	MATERIAL
1	BODY	Brass (C37700)
2	BONNET	Brass (C37700)
3	SEAL	Teflon (PTFE)
4	BALL	Brass (C37700)
5	STEM	Brass (HPb59-1)
6	PACKING	Teflon (PTFE)
7	PACKING NUT	Brass (C37700)
8	LEVER	Steel (Q235A)
9	PLUG	Brass (C37700)
10	NUT	Steel (Q235A)

FIGURE 1: MATERIALS OF CONSTRUCTION

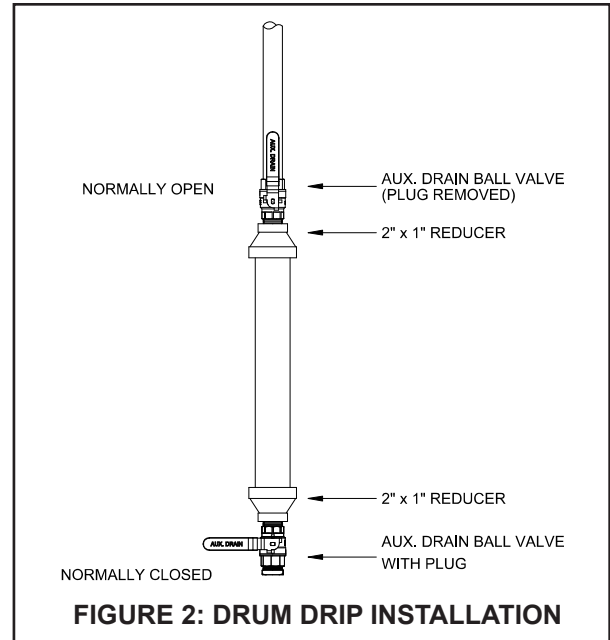


FIGURE 2: DRUM DRIP INSTALLATION

ORDERING INFORMATION

SPECIFY:

- MODEL • SIZE • PN

MODEL AD Auxiliary Drain

PART NUMBER 312465

GLOBE® PRODUCT WARRANTY

Globe agrees to repair or replace any of its manufactured products found to be defective in material or workmanship for a period of one year from date of shipment.

For specific details of our warranty please refer to Price List Terms and Conditions of Sale (Our Price List).

